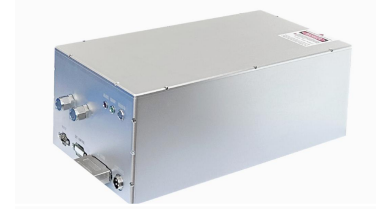


AO-1064W-HE 20W



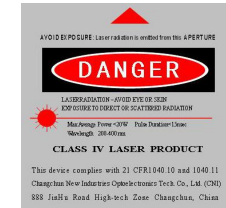
**LD PUMPED ALL-SOLID-STATE
AOM Q-SWITCHED LASER at 1064NM**

All solid state AOM Q-switched laser at 1064 nm has the features of high peak power, high repetition rate, and short pulse duration, which is used in superhard material processing and diamond cutting and so on.

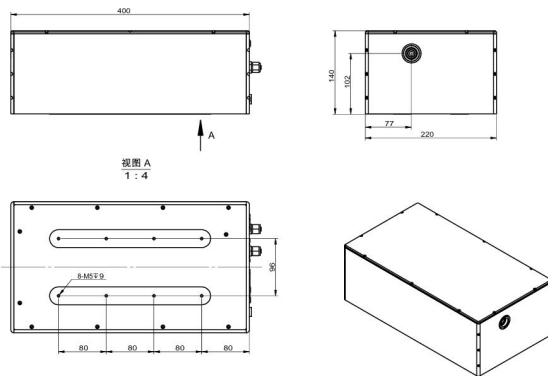


SPECIFICATIONS

Wavelength (nm)	1064±1
Operating mode	Acousto-Optic Q-switched
Average power (W)	20W@10kHz
Single pulse energy (μJ)	Average power (W) = Single pulse energy (mJ) * Rep. rate (kHz)
Rep. rate (kHz)	7~100
Pulse width (ns)	<20@10kHz
Ave power stability (over 4 hours)	<3%, <1%
Transverse mode	TEM ₀₀
Beam Circularity (%)	>90
M ² factor	<1.2
Beam divergence, full angle (mrad)	<3
Beam diameter at the aperture (1/e ² , mm)	~1
Polarization ratio	>100:1, (Vertical or Horizontal optional)
Beam height from base plate (mm)	102
Warm-up time (minutes)	<10
Cooled method	Water Cooled
Operating temperature (°C)	10~35
Supply Voltage	DC 15V/33.4A

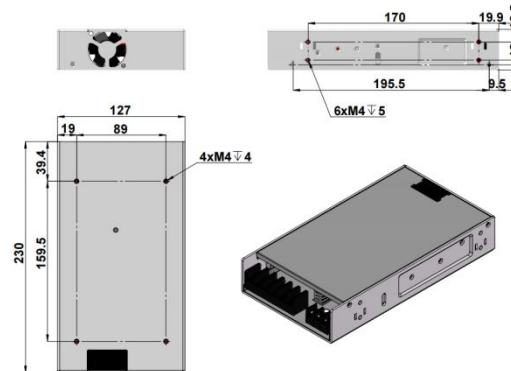


AO-1064W-HE *Integrated electronics*



400 (L) × 220 (W) × 140 (H) mm³, 17kg

PSU-15 (Power supply 100-240VAC)



DC15V 33.4A; 230(L) × 127(W) × 40.5(H) mm³, 1.3kg

Water Chiller (WCH-580)



369.8 (L) × 258.4(W) × 240.6 (H) mm³, 10.5 kg