

AO-Mini-E-355/1-200μJ



LD PUMPED ALL-SOLID-STATE
AOM Q-SWITCHED LASER

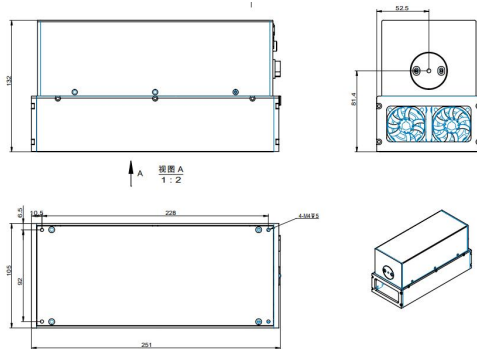
All solid state AOM Q-switched laser at 355nm has the features of high peak power, high repetition rate, and short pulse duration, which is used in laser inner carver, laser marking, scientific research and so on.



SPECIFICATIONS

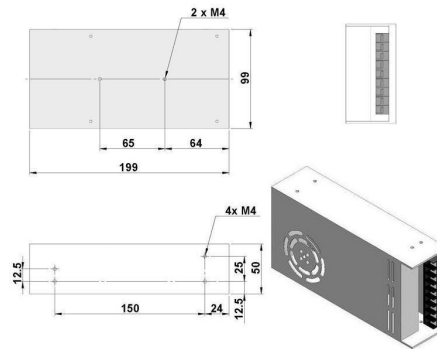
Wavelength (nm)	355±1		
Operating mode	Acousto-Optic Q-switched		
Average power (mW)	75@500Hz	160mW@1KHz	250mW@10KHz
	Average power (W) = Single pulse energy (mJ) * Rep. rate (kHz)		
Single pulse energy (μJ)	>150@500Hz	>150@1kHz	>25@10kHz
Rep. rate (kHz)	0.001~0.5	0.5~10	
Pulse duration (ns)	~9	~10@1kHz	~20@10kHz
Peak power (kW)	~16	~16	~2
Ave power stability (over 4 hours)	<5%, <3%, <1%		
Transverse mode	TEM00		
Beam divergence, full angle (mrad)	<3		
Beam diameter at the aperture (1/e ² , mm)	~0.5		
Polarization ratio	>100:1, Vertical		
Beam quality (M ²)	<1.2		
Warm-up time (minutes)	<10		
Beam height from base plate (mm)	81.4mm (heat sink included)		
Cooled method	Air Cooled		
Operating temperature (°C)	10~35		
Supply Voltage	DC 24V/13A (PSU-24/ PSU-24-P optional)		

AO-Mini-E-355 *Integrated electronics*
(heat sink included)



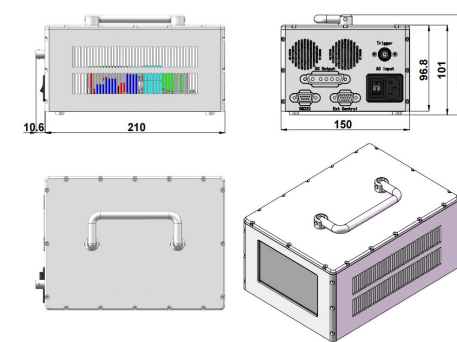
251 (L) × 105 (W) × 132 (H) mm³, 2.2 kg

PSU-24^① (Power supply 100-240VAC)



DC24V 13A; 199 (L) × 99 (W) × 50 (H) mm³, 1 kg

PSU-24-P^② (Power supply 100-240VAC)



220.6(L) × 150 (W) × 112.5 (H) mm³, 2.75 kg

Note:

- ① Adaptor for 24V/13A.
- ② Adaptor for 24V/13A, and power control function is included.