

AO-Mini-E-532/100uJ-300μJ



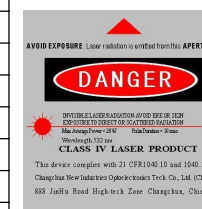
LD PUMPED ALL-SOLID-STATE
AOM Q-SWITCHED LASER

All solid state AOM Q-switched laser at 532nm has the features of high peak power, high repetition rate, and short pulse duration, which is used in laser inner carver, laser marking, scientific research and so on.

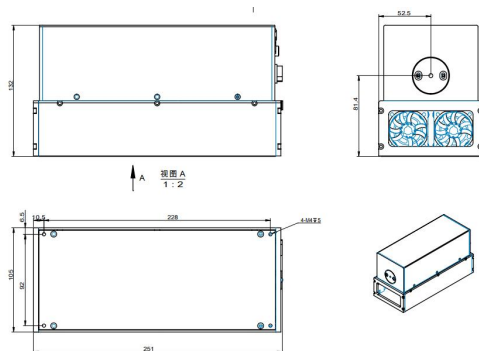


SPECIFICATIONS

Wavelength (nm)	532±1			
Operating mode	Acousto-Optic Q-switched			
Average power (W)	300mW@1kHz	2W@10kHz	5W@40KHz	6W@80KHz
	Average power (W) = Single pulse energy (mJ) * Rep. rate (kHz)			
Single pulse energy (μJ)	>300@1kHz	>200@10kHz	>125@50kHz	
Rep. rate (kHz)	1~10		10~100	
Pulse duration (ns)	~10		~15	
Peak power (kW)	~20		~8	
Ave power stability (over 4 hours)	<5%, <3%, <1%			
Transverse mode	TEM00			
Beam divergence, full angle (mrad)	< 3			
Beam diameter at the aperture (1/e ² , mm)	~0.5			
Polarization ratio	>100:1, Horizontal			
Beam quality (M ²)	<1.2			
Warm-up time (minutes)	<10			
Beam height from base plate (mm)	81.4mm (heat sink included)			
Cooled method	Air Cooled			
Operating temperature (°C)	10~35			
Supply Voltage	DC 24V/13A (PSU-24/ PSU-24-P optional)			

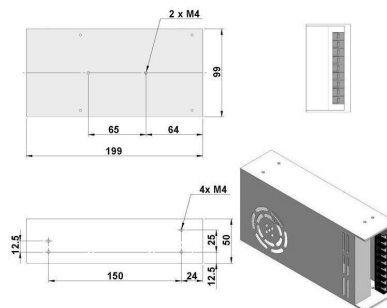


AO-Mini-E-532 *Integrated electronics*
(heat sink included)



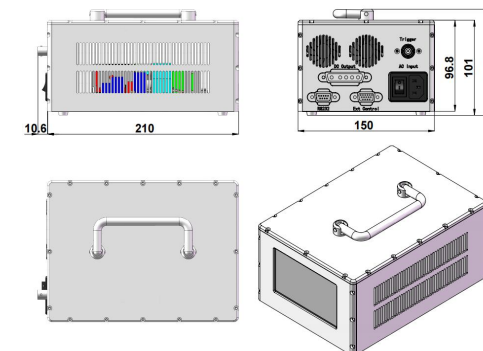
251 (L) × 105 (W) × 132 (H) mm³, 2.2 kg

PSU-24^① (Power supply 100-240VAC)



DC24V 13A; 199 (L) × 99 (W) × 50 (H) mm³, 1 kg

PSU-24-P^② (Power supply 100-240VAC)



220.6 (L) × 150 (W) × 112.5 (H) mm³, 2.75 kg

Note:

- ① Adaptor for 24V/13A.
- ② Adaptor for 24V/13A, and power control function is included.