

AO-V-671 /1~350μJ/1~4000mW



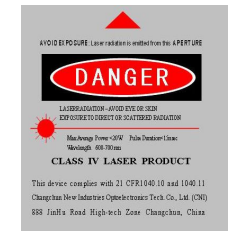
**LD PUMPED ALL-SOLID-STATE  
AOM Q-SWITCHED LASER**

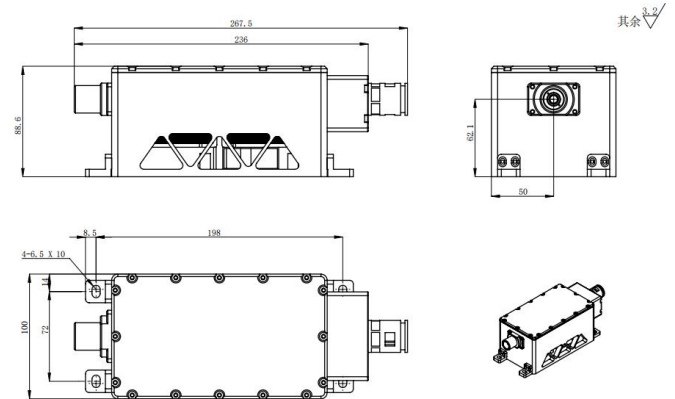
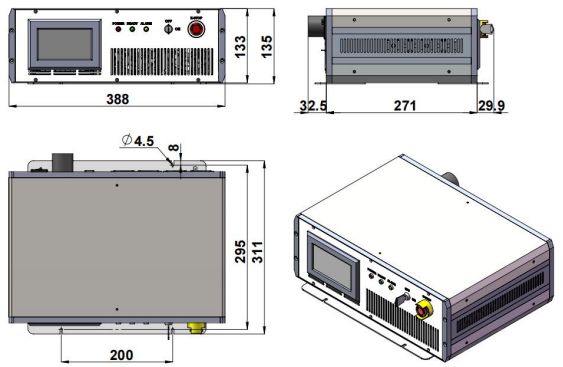
All solid state AOM Q-switched laser at 671nm has the features of high peak power, high repetition rate, and short pulse duration, which is widely used in marking, carving, measure, research and so on.



SPECIFICATIONS

Wavelength (nm)	671±1	
Operating mode	Acousto-Optic Q-switched	
Average power(mW)	3500mW@10kHz	4000mW@20kHz
	Average power (W) = Single pulse energy (mJ) * Rep. rate (kHz)	
Single pulse energy (μJ)	> 350μJ@10kHz	> 200μJ@20kHz
Rep. rate (kHz)	1~100	
Pulse duration (ns)	~20 @10kHz	~25@20kHz
Peak power (kW)	~15@10kHz	~10@20kHz
Ave power stability (over 4 hours)	<5%, <3%	
Beam divergence, full angle (mrad)	<2.5	
Beam diameter at the aperture (1/e <sup>2</sup> , mm)	~1.0	
Beam height from base plate (mm)	62.1	
Warm-up time (minutes)	<10	
Cooled method	Air cooled	
Operating temperature (°C)	10~35	
Power supply (220/110VAC)	PSU-AOM	



AO-V-671	PSU-AOM
 <p>267.5(L) × 100 (W) × 88.6 (H) mm<sup>3</sup></p>	 <p>388 (L) × 311 (W) × 135 (H) mm<sup>3</sup>, 9.6 kg</p>