

AO-W-266 /1~20μJ/1~200mW



**LD PUMPED ALL-SOLID-STATE  
UV AOM Q-SWITCHED LASER**

All solid state AOM Q-switched laser at 266 nm has the features of high peak power, high repetition rate, and short pulse duration, which is widely used in marking, carving, measure, research and so on.

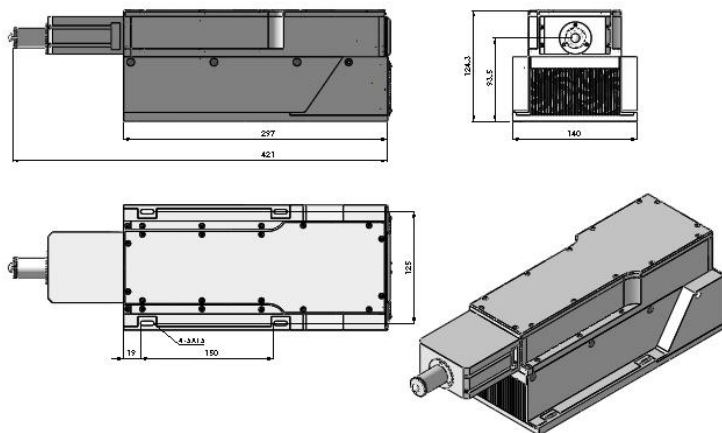


**SPECIFICATIONS**

Wavelength (nm)	266±1
Operating mode	Acousto-Optic Q-switched
Average power (W)	1~200mW (200mW@10kHz)
Single pulse energy(μJ)	Average power (W) = Single pulse energy (mJ) * Rep. rate (kHz)
Rep. rate (kHz)	1~20 (20μJ @10kHz; 5μJ @20kHz)
Pulse duration (ns)	1~50
Peak power (W)	Typically 10~15 @<10kHz, varies from power and repetition.
Ave power stability	0.5~2 (2W@10kHz)
Warm-up time (minutes)	<3%, <5%
Beam divergence, full angle (mrad)	<10
Beam diameter at the aperture (1/e <sup>2</sup> , mm)	<3.5
Beam height from base plate (mm)	~2.0
Cooled method	93.5
Operating temperature (°C)	Air cooled
Power supply (220/110VAC)	15~30
Warranty period	PSU-AOM
	1 year

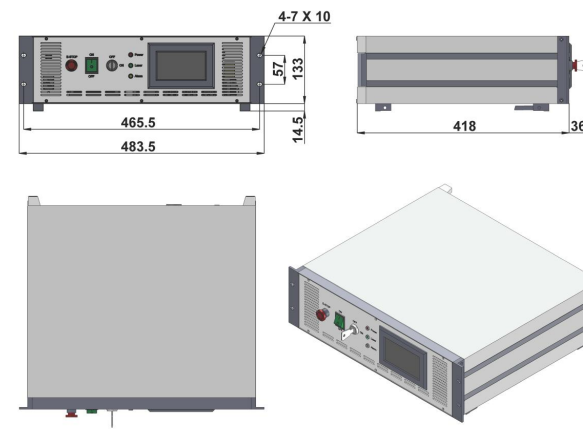


Laser head  
(AO-W-266)



421 (L) ×140 (W) ×124.3 (H) mm<sup>3</sup>, 6.0 kg

Power supply  
(PSU-AOM(3U))



483.5 (L) ×454 (W) ×147.5 (H) mm<sup>3</sup>, 8.3 kg