

AO-Y-2600~4200/1~16.7uJ/1~500mW

### LD PUMPED ALL-SOLID-STATE Q-SWITCHED LASER

All CNI's Q-switched DPSS laser at 2600~4200nm have high peak power, high repetition rate, and short pulse duration, it is widely used in medical treatment, scientific research and so on.

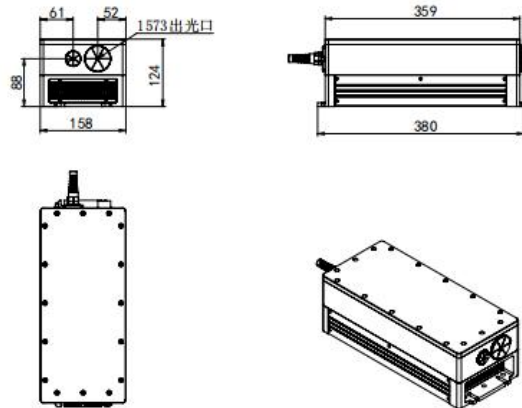


#### SPECIFICATIONS

Wavelength (nm)	2600	2800	3000	3200	3400	3600	3800	4000	4200
Operating mode	Acousto-Optic Q-switched								
Max average power (mW)	>10, 30, ...,500							> 10, 30, ...,100	
Power stability (over 4 hours)	3%, <5%								
Pulse duration (ns)	~12@30kHz&500mW								
Rep. rate (kHz)	30								
Single pulse energy (μJ)	1~16.7								
Beam divergence, full angle (mrad)	<10								
Beam diameter at the aperture (1/e <sup>2</sup> ,mm)	~4								
Beam height from base plate (mm)	88								
Warm-up time (minutes)	<10								
Operating temperature (°C)	10~35								
Power supply (90-264VAC)	PSU-AOM(3U)								
Expected lifetime (hours)	10000								
Warranty period	1 year								

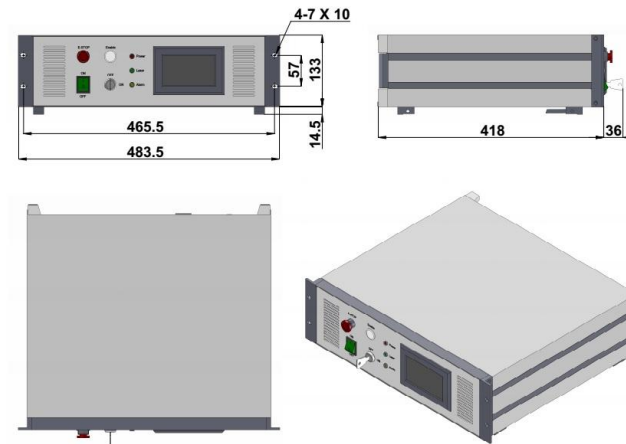


AO-Y-2600~4200



380(L)×158(W)×124(H) mm<sup>3</sup>, 8.5kg

PSU-AOM(3U)



483.5 (L) ×454 (W) ×147.5 (H) mm<sup>3</sup>, 8.3 kg