



### COUPLER CF-1



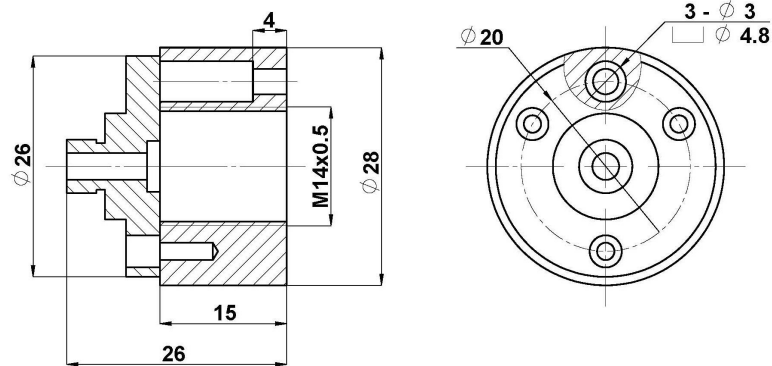
CNI can provide fiber coupler for all our existing lasers, SM/MM fiber type optional. The coupler is designed to connect the fiber and laser to improve fiber coupling efficiency.



#### SPECIFICATIONS

Model	CF-1-4AS-VIS	CF-1-6-IR	CF-1-11
Focal length of the lens (mm)	f=4.05 Aspheric	f=6 Biconvex	f=11 Plano-convex
Suitable beam diameter (mm)	0.75-0.9	1.4-1.5	<5
Wavelength range (nm)	400-700	700-1600	200-1600
Fiber type	SM		MM
Connector	FC		FC/SMA905
Suitable laser model	U、S		

SMA905 Connector



FC Connector

