

DPS-1064-BS/30~80mJ

**HIGH ENERGY DIODE
PUMPED ALL-SOLID-STATE
Q-SWITCHED LASER**

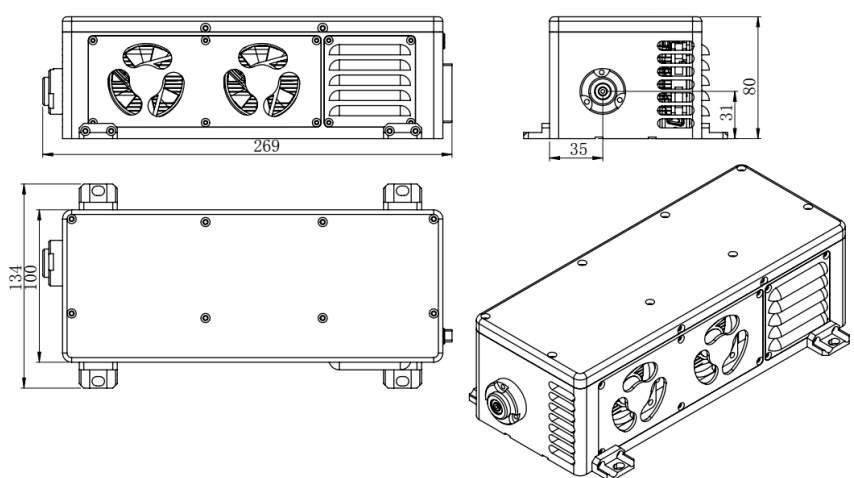
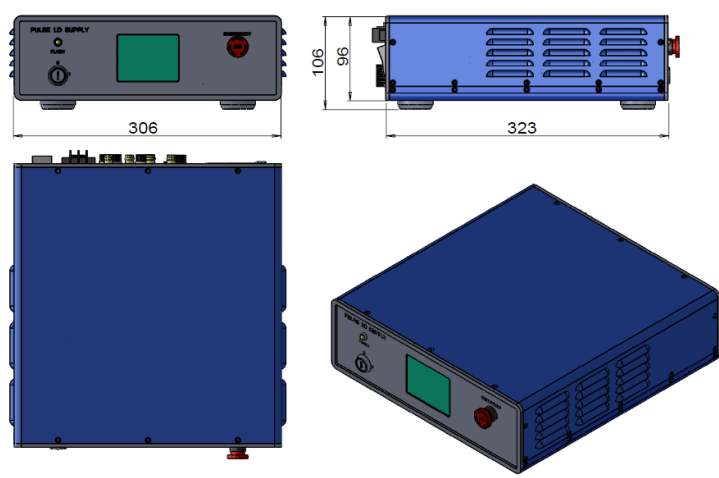
High energy diode pumped all solid state Q-switched laser at 1064nm has the features of high single pulse energy, short pulse duration, and high peak power, which is widely used in LIBS, LIF, ICP-MS, LCD repair, scientific research, and so on.



SPECIFICATIONS

Wavelength (nm)	1064±1	
Operating mode	Q-switched: EOM (Electro-optic modulation)	
Single pulse energy (mJ)	40	80
Pulse duration (ns)	~10	
Rep. rate (Hz)	1~10, EXT (adjustable)	
Energy stability (std dev/mean)	<2%, <3%, <5%	
Beam divergence, full angle (mrad)	≤3	
Beam diameter (mm)	~5	
Warm-up time (minutes)	<15	
Beam height from base plate (mm)	31	
Cooled method	Air cooled	
Operating temperature (°C)	15~30	
Power supply	PSU-DPS-BS	
Expected lifetime (pulses)	10 ⁹	
Warranty period	1 year	
Available options	Higher single pulse energy: up to 100mJ, Variable optical attenuator: 5%~95%	



DPS-1064-BS	PSU-DPS-BS
 <p>269 (L)×134 (W)×80 (H) mm³, 5 kg</p>	 <p>323 (L)×306 (W)×106 (H) mm³, 6kg</p>