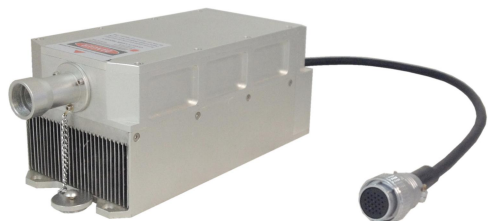


EL-1064/ 200μJ/5000mW



EL SERIES 1064NM LASER SOURCE FOR LASER MARKING

EL-1064nm series laser has the features of high peak power, high repetition rate, and short pulse duration, which is widely used in nonlinear optics, laser marking, laser engraving and so on.

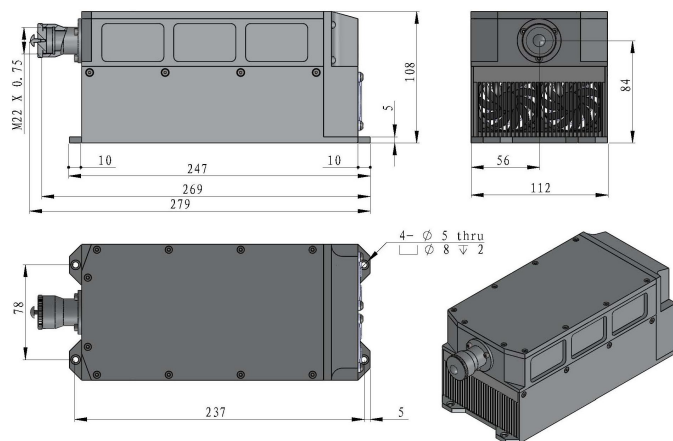


SPECIFICATIONS

Wavelength (nm)	1064±1	
Operating mode	Passively Q-switched	
Average power (mW)	>5000	
Single pulse energy (μJ)	~200	
Pulse duration (ns)	4~6	
Peak power (kW)	~40	
Rep. rate (kHz)	20~30kHz	
Power stability (over 8 hours)	<1%, <2%, <3%, <5%	
Transverse mode	TEM ₀₀	
Beam divergence, full angle (mrad)	<1.5	
Beam diameter at the aperture (1/e ² , mm)	~2.0	
Warm-up time (minutes)	<10	
Beam height from base plate (mm)	84	
Operating temperature (°C)	10~35	
Power supply (90-264VAC)	PSU-AOW-S(2U)	PSU-W-LED(B)
Cooling system	Air	
Expected lifetime (hours)	20000	
Warranty period	1 year	
Pilot light	<5mW@650nm	

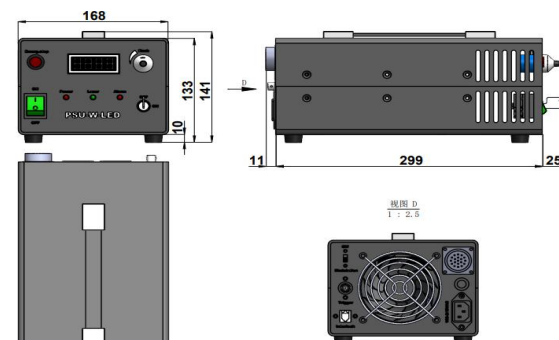


EL-1064(SW)



279 (L) × 112 (W) × 108 (H) mm³, 3.9 kg

PSU-W-LED(B)



299 (L) × 168 (W) × 141 (H) mm³, 5.2 kg