



EO-1047-N/1~2000μJ/1~200mW

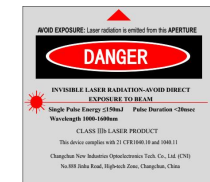
HIGH ENERGY DIODE PUMPED ALL-SOLID-STATE Q-SWITCHED LASER

High energy diode pumped all solid state Q-switched laser at 1047nm has the features of high single pulse energy, short pulse duration, and high peak power, which is widely used in topography measurement, marking, ranging, micro-processing, scientific research, and so on.

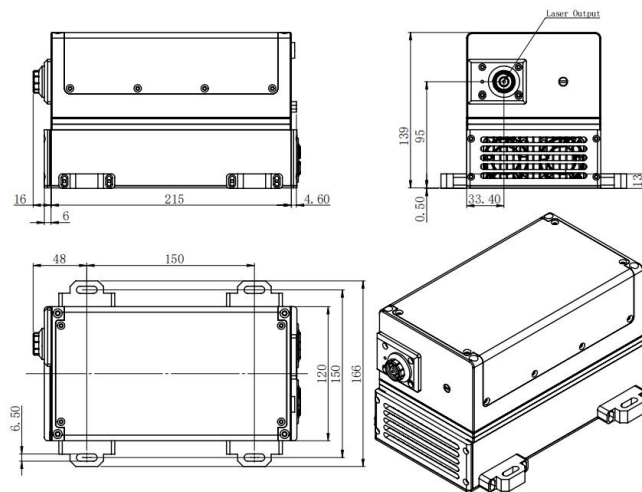


SPECIFICATIONS

Wavelength (nm)	1047±1nm	
Operating mode	Q-switched: EO (Electro-optic)	
Single pulse energy (uJ)	2000uJ@100Hz	200uJ@1KHz
Output power (mW)	200mW@100Hz	200mW@1KHz
Power stability	<5%	
Pulse duration (ns)	<10ns@100Hz	
Rep. rate (Hz)	100Hz~1KHz	
Beam diameter (mm)	~1mm	
Beam divergence, full angle (mrad)	<3mrad	
Cooled method	Air cooled	
Warm-up time (minutes)	<15	
Power supply	AC 220V/DC 24V	
Operating temperature (°C)	15~30	
Expected lifetime (hours)	10000h	
Warranty period	1 year	

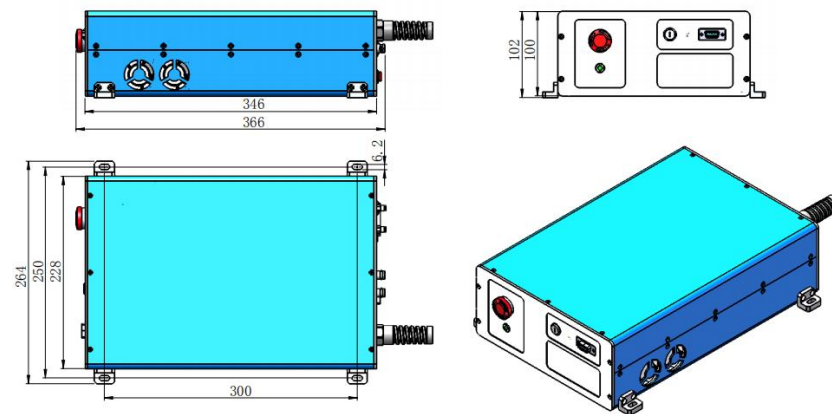


EO-1047-N



241.6(L)×166(W)×139(H)mm³ 7kg

PSU-EO-N



366(L)×264(W)×102(H)mm³ 6.5kg