

EO-1064-N/1~1.5mJ

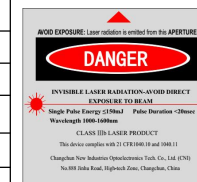
## HIGH ENERGY DIODE PUMPED ALL-SOLID-STATE Q-SWITCHED LASER

High energy diode pumped all solid state Q-switched laser at 1064nm has the features of high single pulse energy, short pulse duration, and high peak power, which is widely used in topography measurement, marking, ranging, micro-processing, scientific research, and so on.

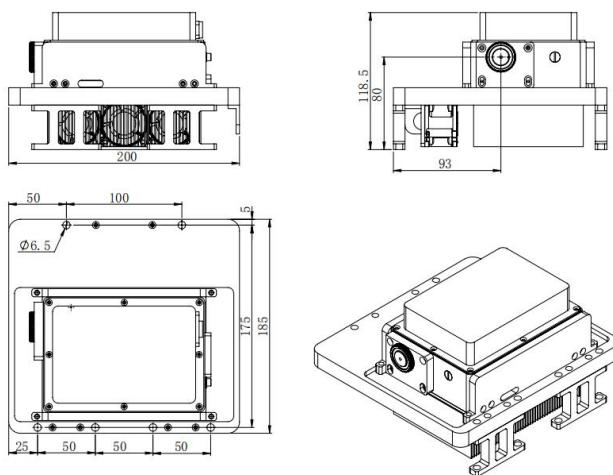


### SPECIFICATIONS

Wavelength (nm)	1064±1			
Operating mode	Q-switched: EO (Electro-optic)			
Single pulse energy (mJ)	0.8@1KHz	0.8@5KHz	0.3@20KHz	1.5@3KHz
Pulse duration (ns)	<7@1KHz	<7@5KHz	<8@20KHz	<12@3KHz
Rep. rate (Hz)	1Hz~1kHz	1k~7kHz	1k~25kHz	One fixed value between 1k~3kHz
Power stability (rms)	<1%, <2%			
M <sup>2</sup>	<1.5		<2	
Pointing stability (urad, std)	<20			
Beam divergence, full angle (mrad)	<3			
Beam diameter (mm)	~1			
Beam height from base plate (mm)	80			
Warm-up time (minutes)	<15			
Cooled method	Air cooled			
Operating temperature (°C)	15~30			
Power supply (DC 24V)	PSU-EO-N			
Expected lifetime (hours)	10000			
Warranty period	1 year			
Options	Higher energy can be customized; Higher frequency can be customized			

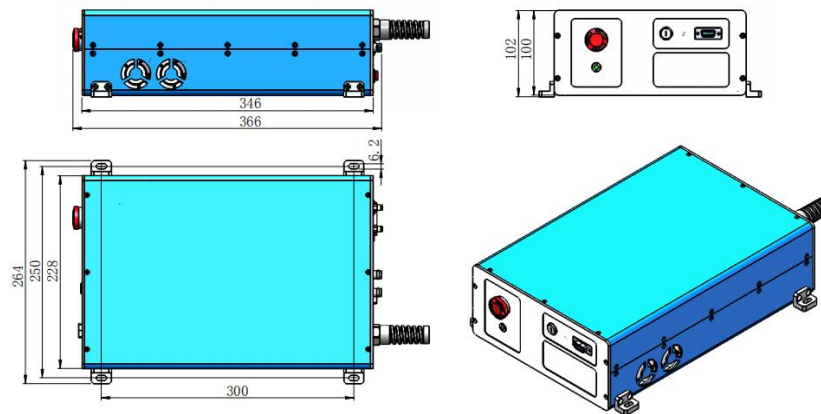


EO-1064-N



200(L)×185(W)×118.5(H)mm<sup>3</sup> 5.7kg

PSU-EO-N(DC 24V)



366(L)×264(W)×102(H)mm<sup>3</sup> 6.5kg