



EO-1064-Subnano/1~1000μJ/1~4000mW

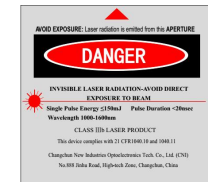
**HIGH ENERGY DIODE
PUMPED ALL-SOLID-STATE
Q-SWITCHED LASER**

High energy diode pumped all solid state Q-switched laser at 1064nm has the features of high single pulse energy, short pulse duration, and high peak power, which is widely used in topography measurement, marking, ranging, micro-processing, scientific research, and so on.

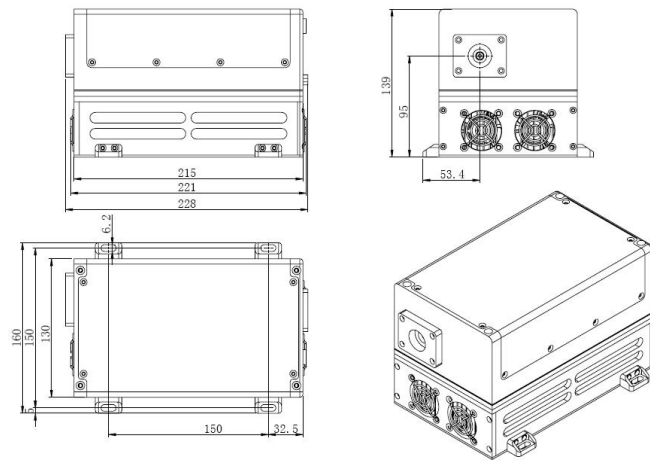


SPECIFICATIONS

Wavelength (nm)	1064±1nm	
Operating mode	Q-switched: EO (Electro-optic)	
Single pulse energy (uJ)	500uJ@1KHz	1000uJ@1KHz
Output power (mW)	4000mW@10KHz	1000mW@1KHz
Power stability	<2% ,<3% ,<5%	
Pulse duration (ns)	<1.5ns@1KHz	
Rep. rate (kHz)	1KHz~10KHz	
Beam diameter (mm)	~1mm	
Beam divergence, full angle (mrad)	<3mrad	
Cooled method	Air cooled	
Warm-up time (minutes)	<15	
Power supply	AC 220V/DC 24V	
Operating temperature (°C)	15~30	
Expected lifetime (hours)	10000h	
Warranty period	1 year	

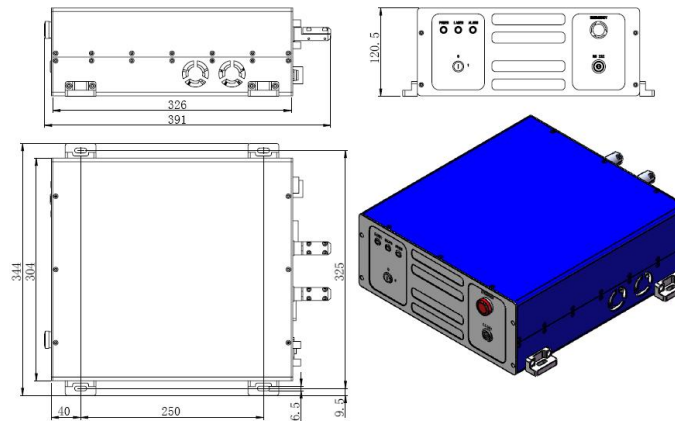


EO-1064-Subnano



228(L)×160(W)×139(H)mm³ 7kg

PSU-EO-Subnano



391(L)×344(W)×120.5(H)mm³ 10kg