

EO-266-H/0.05~0.1mJ

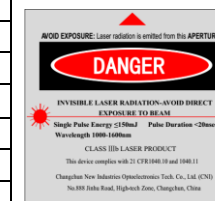
## HIGH ENERGY DIODE PUMPED ALL-SOLID-STATE Q-SWITCHED LASER

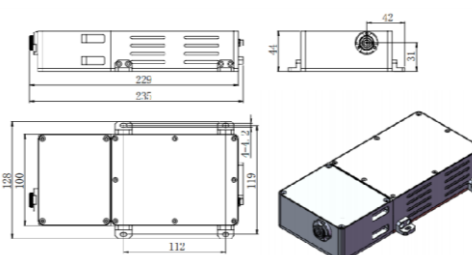
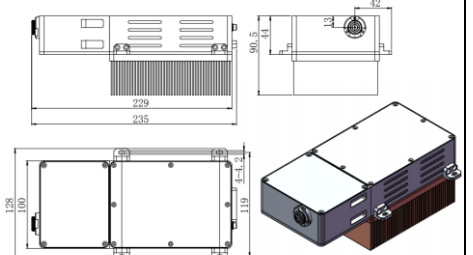
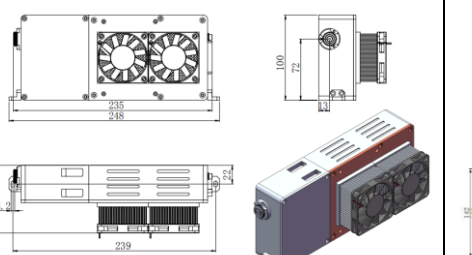
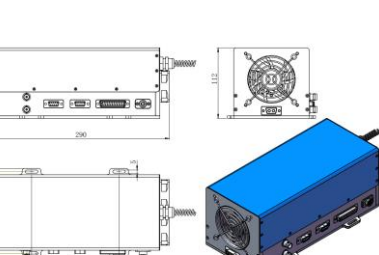
High energy diode pumped all solid state Q-switched laser at 266nm has the features of high single pulse energy, short pulse duration, and high peak power, which is widely used in scientific research, biology, instrumentation, 3D marking, laser marking, sub-surface engraving and so on.



### SPECIFICATIONS

Wavelength (nm)	266±1		
Operating mode	Q-switched: EO (Electro-optic)		
Single pulse energy (mJ)	0.1		
Pulse duration (ns)	<6		
Rep. rate (kHz)	One fixed value between 2~7kHz		
Power stability (rms)	<2%, <3%		
Pointing stability (urad, std)	<20		
Beam divergence, full angle (mrad)	<3		
Beam diameter (mm)	~1		
Beam height from base plate (mm)	31	77.5	72
Warm-up time (minutes)	<15		
Cooled method	Conduction (EO-266-H- I )	Conduction (EO-266-H- II )	Air cooled (EO-266-H-III)
Operating temperature (°C)	15~30		
Power supply (DC 15V, 20A)	PSU-EO-H		
Expected lifetime (hours)	10000		
Warranty period	1 year		
Options	Repetition rate 1~200KHz available. Volume will be increased appropriately.		



EO-266-H- I	EO-266-H- II	EO-266-H-III	PSU-EO-H( DC 15V, 20A)
 <p>235(L)×100(W)×44 (H)mm<sup>3</sup> 2.2kg Heat dissipation is offered by customer (&gt;70W)</p>	 <p>235(L)×100(W)×44 (H)mm<sup>3</sup> 5kg Heat dissipation is offered by customer (&gt;70W)</p>	 <p>235(L)×80(W)×100 (H)mm<sup>3</sup> 3kg</p>	 <p>290 (L) ×142(W) ×112(H) mm<sup>3</sup> 3.5kg</p>