

EO-532-H/0.5~0.8mJ

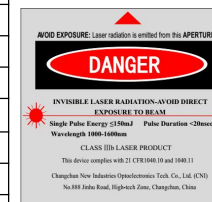
HIGH ENERGY DIODE PUMPED ALL-SOLID-STATE Q-SWITCHED LASER

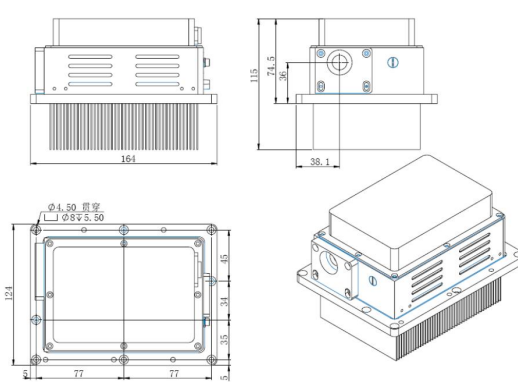
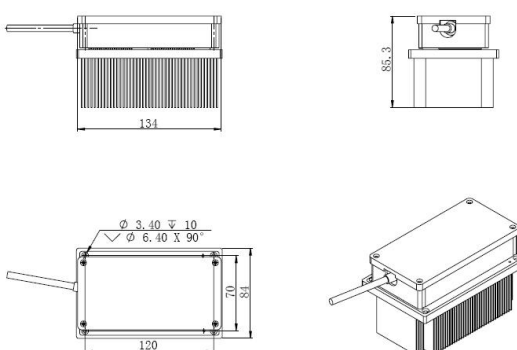
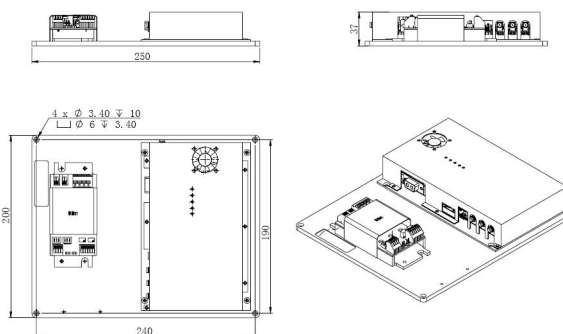
High energy diode pumped all solid state Q-switched laser at 532nm has the features of high single pulse energy, short pulse duration, and high peak power, which is widely used in topography measurement, marking, ranging, glass carving, micro-processing, scientific research, and so on.

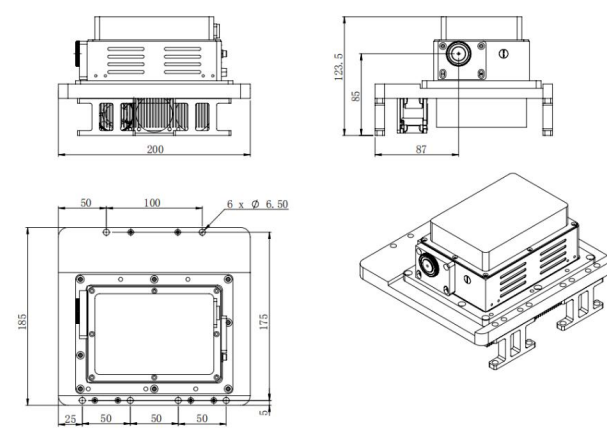
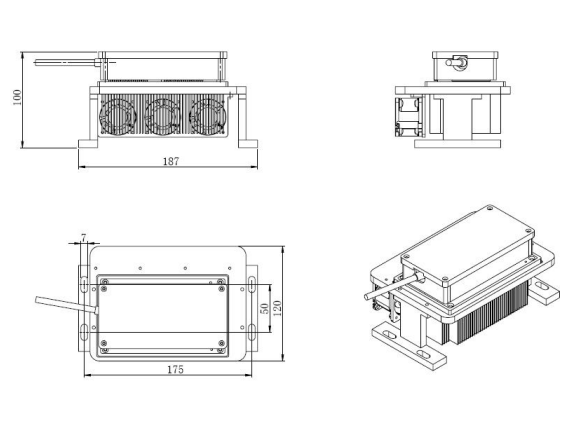
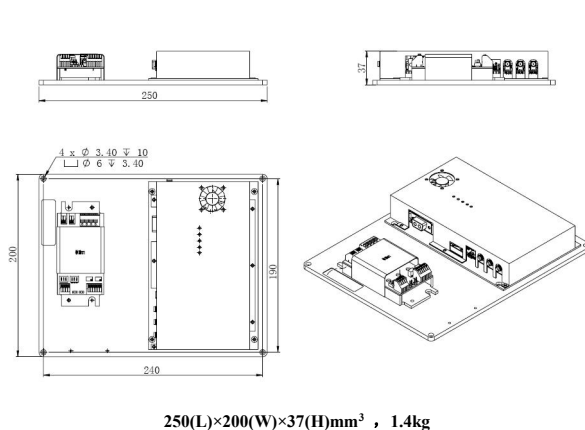
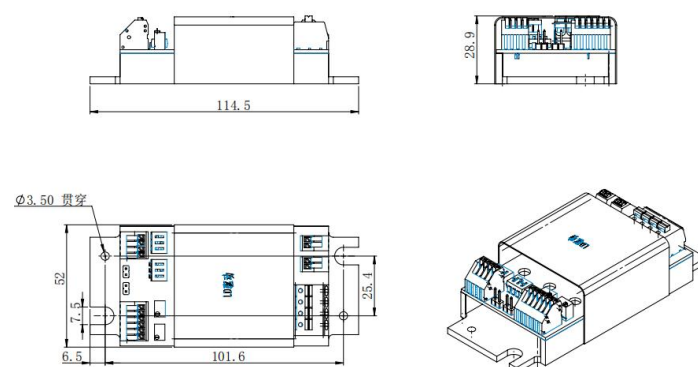
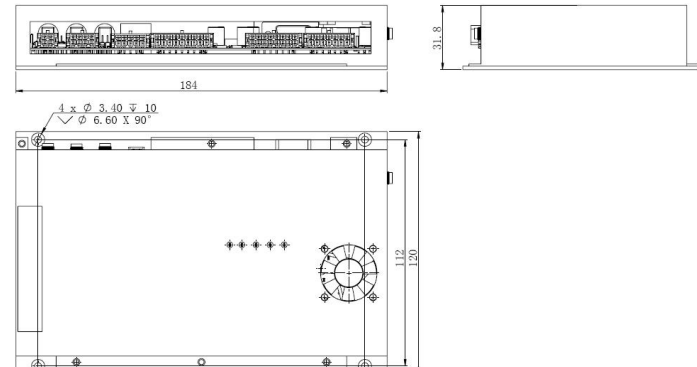


SPECIFICATIONS

Wavelength (nm)	532±1	
Operating mode	Q-switched: EO (Electro-optic)	
Single pulse energy (mJ)	0.4@5KHz	0.8@3KHz
Pulse duration (ns)	<6@5KHz	<10@3KHz
Rep. rate (kHz)	One fixed value between 1k~10kHz	One fixed value between 1k~3kHz
Power stability (rms)	<1%, <2%	
M ²	<1.5	<2
Pointing stability (urad, std)	<20	
Beam divergence, full angle (mrad)	<3	
Beam diameter (mm)	~1	
Beam height from base plate (mm)	76.5	85
Warm-up time (minutes)	<15	
Cooled method	Conduction (EO-532-H- I)	Air cooled (EO-532-H- II)
Operating temperature (°C)	-20~55	
Power supply (DC 24V)	PSU-EO-H	
Expected lifetime (hours)	10000	
Warranty period	1 year	
Options	Higher energy can be customized; Higher frequency can be customized	



EO-532-H- I		
Laser Head	LD	Power Supply
 <p>164(L)×124(W)×115(H)mm³ 4.4kg</p> <p>Heat dissipation is offered by customer (>70W)</p>	 <p>134(L)×84(W)×85.3(H)mm³ 2.1kg</p> <p>Heat dissipation is offered by customer (>70W)</p>	 <p>250(L)×200(W)×37(H)mm³ , 1.4kg</p>

EO-532-H- II		
Laser Head	LD	Power Supply
 <p>200(L)×185(W)×123.5(H)mm³ 5.7kg</p>	 <p>187(L)×120(W)×100(H)mm³ 2.6kg</p>	 <p>250(L)×200(W)×37(H)mm³ , 1.4kg</p>
Power supply include:		
LD Driver	Control Board	
 <p>114.5(L)×52(W)×28.9(H)mm³ 0.2kg</p>	 <p>184(L)×120(W)×31.8(H)mm³ 0.7kg</p>	