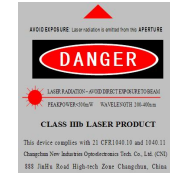




EO-S-xxx-L series

LD PUMPED ALL-SOLID-STATE ELECTRO-OPTIC Q-SWITCHED LASER

All solid state electro-optic Q-switched laser has the features of high single pulse energy, short pulse duration, and high peak power, which is widely used in laser distance measuring, laser Radar, laser Raman, ICP-MS, LIBS, scientific research and so on.



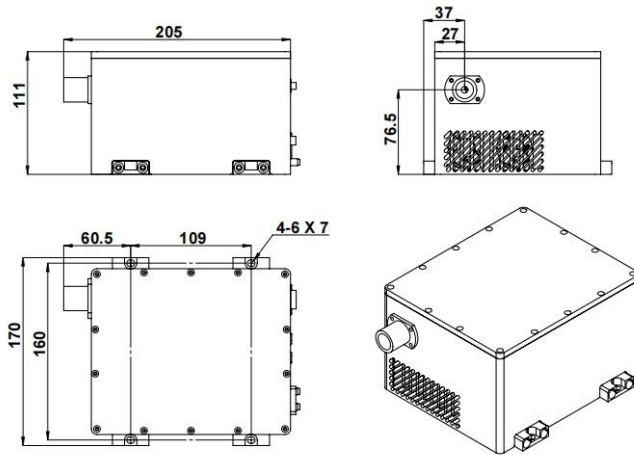
SPECIFICATIONS

Wavelength (nm)	532±1	1064±1
Operating mode	Electro-optics Q-switched	
Rep. rate (kHz)	0.01-1	
Max average power (mW) ⁽¹⁾	1-50	1-100
Single pulse energy (μJ)	1-50	1-100
Pulse duration (ns)	~5	
Jitter(ns)	<1	
Peak power(kW)	0.2-10	0.2-20
Power Stability (rms,over 4 hours)	<3%,<2%,<1%	
Transverse mode	TEM ₀₀	
M ² factor	<1.5	
Beam Diameter at the aperture 1/e ² (mm)	~1.5	
Warm-up Time (minutes)	<10	
Beam height from base plate (mm)	76.5	
Operating temperature (°C)	10-35	
Power supply (90-264VAC)	PSU-EOM-L	
Expected lifetime (hours)	10000	
Warranty	1 year	

(1) Average power (mW)= Single pulse energy (μJ)* Rep. rate(kHz)

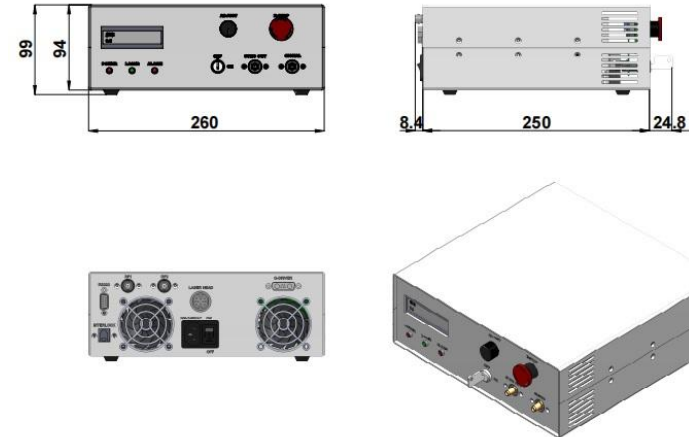
(2) Jitter(ns):from external trigger input

LASER HEAD



205 (L) × 170 (W) × 111 (H) mm³

POWER SUPPLY



283.2 (L) × 260 (W) × 99 (H) mm³