

EO-XS-671/1~120μJ/1~1200mW

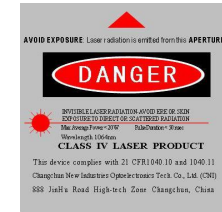
**LD PUMPED ALL-SOLID-STATE  
EOM Q-SWITCHED LASER  
AT 671 nm**

All solid state EOM Q-switched laser at 671 nm has the features of high peak power, high repetition rate, and short pulse duration, which is widely used in marking, carving, measure, research and so on.

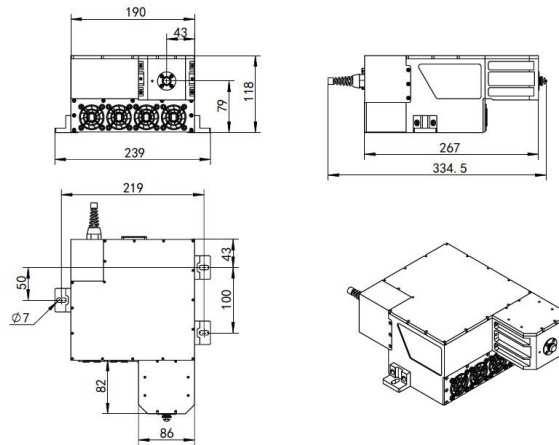


SPECIFICATIONS

|   |   |
|---|---|
| Wavelength (nm)                         | 671±1   |
| Operating mode                          | Electro-optic Q-switched  |
| Average power (W)                       | 1~1200mW (1200mW@10kHz)<br>Average power (W) = Single pulse energy (mJ) * Rep. rate (kHz) |
| Single pulse energy (μJ)                | 1~120(120μJ @10kHz)   |
| Rep. rate (kHz)                         | 10  |
| Pulse duration (ns)                     | ~4 @10kHz   |
| Peak power (kW)                         | 1~30 (30kW@10kHz)   |
| Ave power stability (over 4 hours)      | <3%, <5%  |
| Warm-up time (minutes)                  | <10   |
| Beam divergence, full angle (mrad)      | <3  |
| Beam diameter at the aperture (1/e2,mm) | ~1.5  |
| M <sup>2</sup> factor                   | <2  |
| Beam height from base plate (mm)        | 79  |
| Cooled method                           | Air cooled  |
| Operating temperature (°C)              | 10~35   |
| Power supply (220/110VAC)               | PSU-AOM(3U)   |
| Expected lifetime (hours)               | 10000   |
| Warranty period                         | 1 year  |

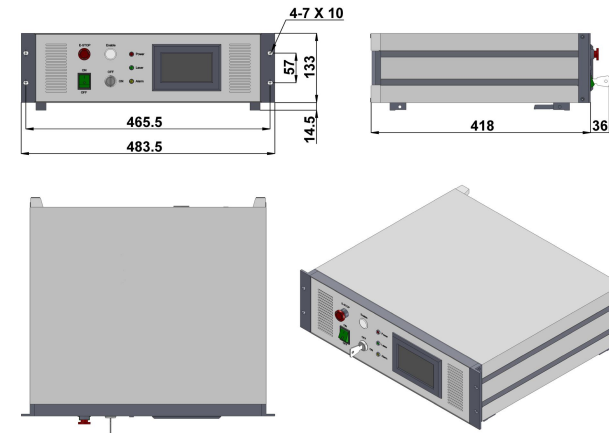


EO-XS-671



334.5(L)×239(W)×118(H) mm<sup>3</sup>, 5kg

PSU-AOM(3U)



483.5 (L) ×454 (W) ×147.5 (H) mm<sup>3</sup>, 8.3 kg