



FC-W-405H-II 30~100W

DIODE LASER AT 405nm

Diode laser 405nm is made features of ultra compact, long lifetime, low cost and easy operating. It's easy to be installed in customer's equipment.

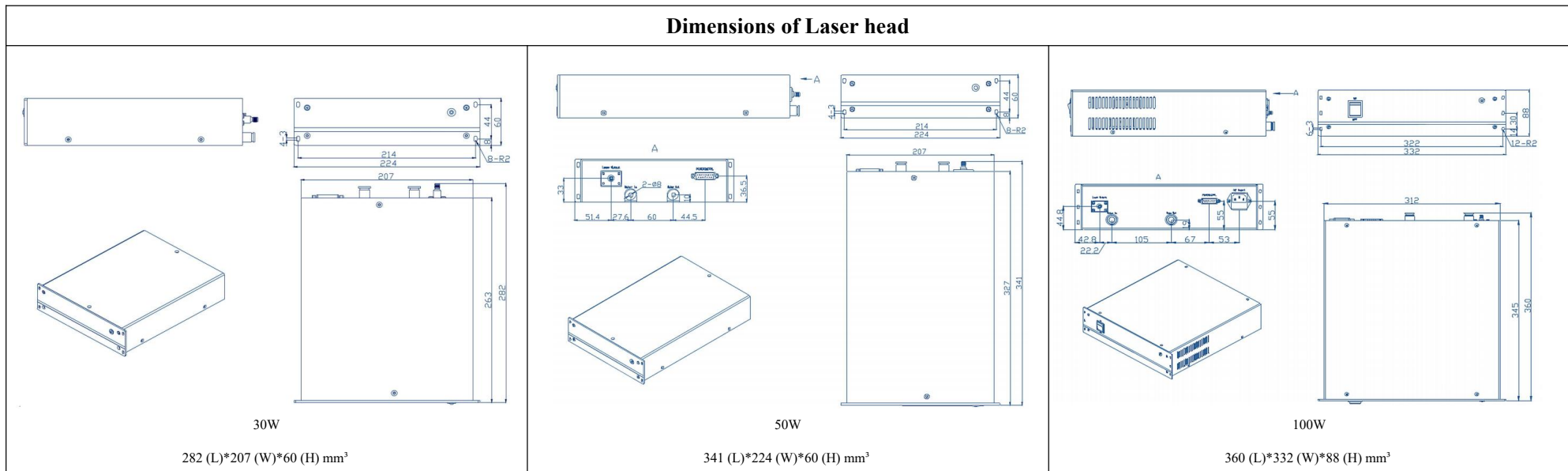


SPECIFICATIONS

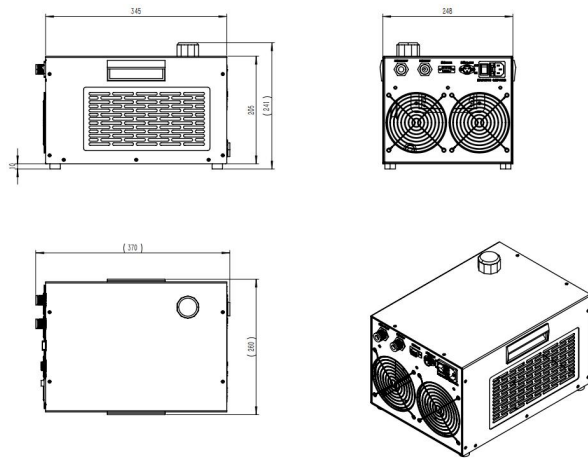
|                                      |                                     |      |       |
|--------------------------------------|-------------------------------------|------|-------|
| Wavelength (nm)                      | 405±5                               |      |       |
| Operating mode                       | CW                                  |      |       |
| Output power (W) @ after 400um fiber | 30                                  | 50   | 100   |
| Fiber Core Diameter (um)             | 400                                 | 600  | 600   |
| Fiber Connector                      | SMA905                              |      |       |
| Numerical Aperture (NA)              | 0.22                                |      |       |
| Fiber length (m)                     | 2 (Fiber length can be customized ) |      |       |
| Power stability (rms, over 4 hours)  | <1%                                 |      |       |
| Cooled method                        | Water cooled                        |      |       |
| Operating voltage (V)                | DC24                                | DC24 | AC220 |
| Warm-up time (minutes)               | <5                                  |      |       |
| Operating temperature (°C)           | 25+/-3                              |      |       |
| Expected lifetime (hours)            | 10000                               |      |       |
| Warranty                             | 1 year                              |      |       |



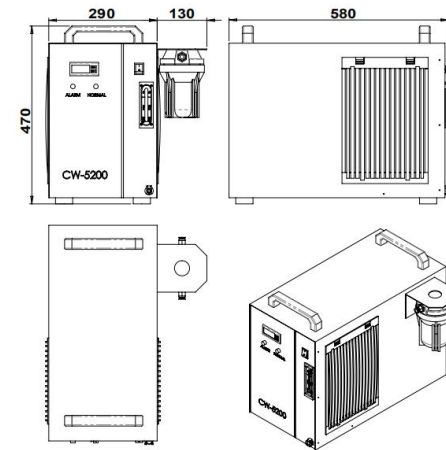
Dimensions of Laser head



Water chiller (Optional)



370 (L)\*260 (W)\*241 (H) mm<sup>3</sup>



370 (L)\*260 (W)\*241 (H) mm<sup>3</sup>