



**FL-1240-CW/1~15W**

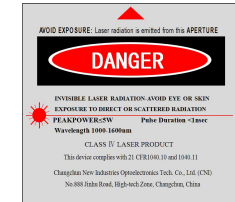
**HIGH POWER ALL FIBER CW LASER**

High Power all fiber CW laser at 1240nm is made features of ultra compact, long lifetime, low cost and easy operating, which is widely used in Pump for mid-IR laser, Pump source for OPO, Pump source for long distance communication, etc.

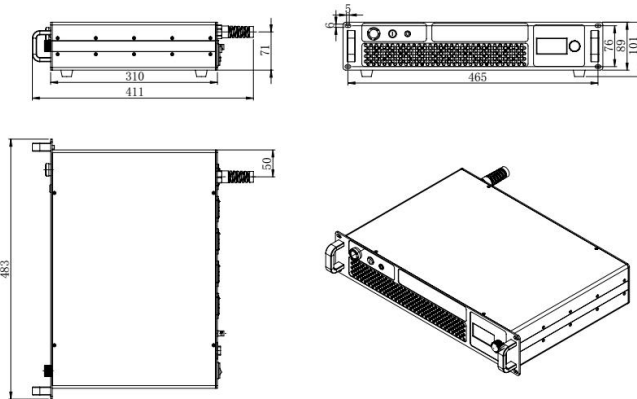


**SPECIFICATIONS**

Wavelength (nm)	1240±1		
Operating mode	CW		
Output power (W)	5W	10W	15W
Power stability (rms, over 4 hours)	<0.5%, <1%		
Line width(nm)	<0.3nm		
M <sup>2</sup> factor	<1.2		
Output Fiber termination	FC/PC(single mode:9/125, fiber core diameter:9um) or Collimator(4~6mm)		
Polarization ratio	Random		
Warm-up time (minutes)	<15		
Delivery cable length (m)	variable		
Operating temperature (°C)	15~35		
Power supply	AC 220V		
Expected lifetime (hours)	10000		
Warranty	1 year		



**FL-1240-CW**



411(L)×483(W)×101(H) mm<sup>3</sup>, 5kg

