



**FL-1270-CW/1W**

**SPECIFICATIONS**

**HIGH POWER ALL FIBER CW LASER**

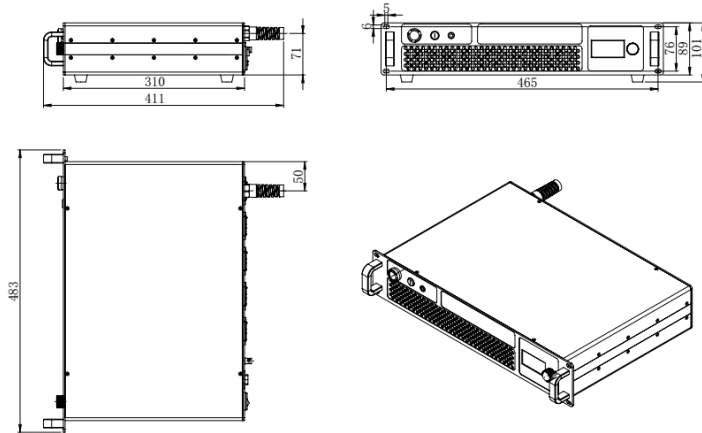
High Power all fiber CW laser at 1270nm is made features of ultra compact, long lifetime, low cost and easy operating, which is widely used in Pump for mid-IR laser, Pump source for OPO, laser lidar, interferometry, optical communication, etc.



Wavelength (nm)	1270±1
Operating mode	CW
Output power (W)	1W
Power stability (rms, over 4 hours)	<0.5%, <1%, <2%
Line width(nm)	<1nm
M <sup>2</sup> factor	<1.3
Output Fiber termination	FC/APC(single mode:10um) or Collimator(4~6mm)
Polarization ratio	Random
Cooled method	Air cooled
Warm-up time (minutes)	<15
Delivery cable length (m)	variable
Operating temperature (°C)	15~35
Power supply	AC 220V
Expected lifetime (hours)	10000
Warranty	1 year



**FL-1270-CW**



411(L)×483(W)×101(H) mm<sup>3</sup>, 5kg

