



FL-540-SF/1~2000mW

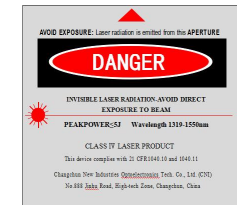
**SINGLE FREQUENCY MODE
FIBER LASER AT 540 nm**

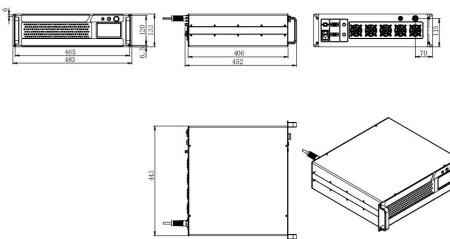
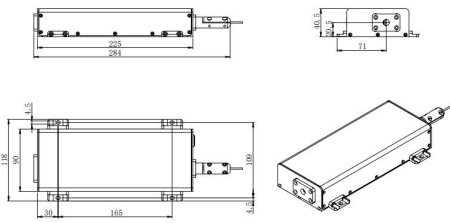
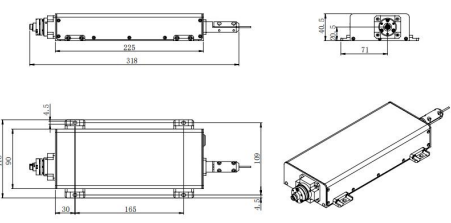
All polarization fiber single frequency mode high power laser at 540nm is consisting of the seed laser and an amplifier optimized for low noise operation and application demanding more optical power, which has been designed for operation in laser cooling trapping, optical lattice, pump laser for OPO, Ti:Sapphire, Biomedical, Fundamental light for UV laser, etc.



SPECIFICATIONS

Wavelength (nm)	540±1			
Operating mode	CW			
Free space output power (mW)	100	500	1000	2000
Fiber coupled output power (mW)	250		500	
Power stability (rms, over 4 hours)	<2%, <1%			
Transverse mode	TEM ₀₀			
Spectral linewidth (KHz)	<40			
M ² factor	<1.2			
Polarization ratio(dB)	>15			
Warm-up time (minutes)	<30			
Operating temperature (°C)	15~30			
Power supply (V AC)	AC 220			
Expected lifetime (hours)	10000			
Warranty	1 year			
Options	RS 232/485 interface			



FL-540-SF	Second harmonic(Free space)	Second harmonic(Fiber coupled)	Free space
 452(L)×483(W) ×133(H) mm³ 10kg	 284(L)×118(W) ×40.5(H) mm³ 1kg	 318(L)×118(W) ×40.5(H) mm³ 1.1kg	