

FL-631-SF/1~1000mW

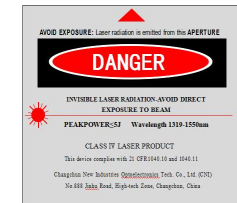
**SINGLE FREQUENCY MODE
FIBER LASER AT 631 nm**

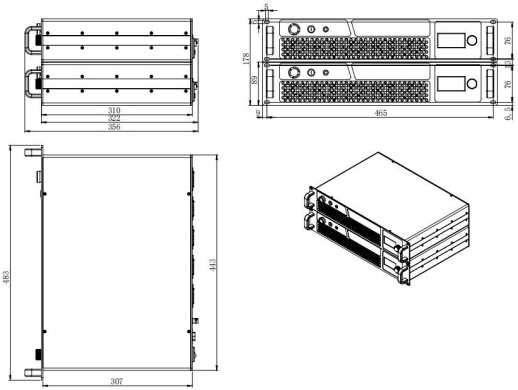
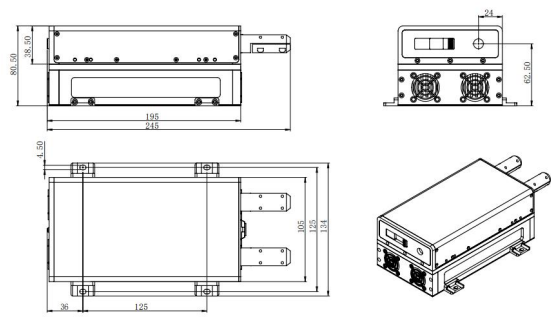
All polarization fiber single frequency mode high power laser at 631nm is consisting of the seed laser and an amplifier optimized for low noise operation and application demanding more optical power, which has been designed for operation in optical lattice, optical tweezer, scientific research, etc.



SPECIFICATIONS

Wavelength (nm)	631±1	
Operating mode	CW	
Output power (mW)	1000	
Power stability (rms, over 4 hours)	<1%	
Transverse mode	TEM ₀₀	
Longitudinal mode	Single	
Spectral linewidth (KHz)	<20	<100
Frequency shift (MHz)	<500@4hour	
M ² factor	<1.1	
Polarization ratio(dB)	>15	
Warm-up time (minutes)	<30	
Operating temperature (°C)	15~30	
Power supply (V AC)	220	
Expected lifetime (hours)	10000	
Warranty	1 year	
Options	RS 232/485 interface	



FL-631-SF	Second harmonic	FL-631-SF
 <p>483(L)×356(W)×178(H) mm³ 9kg</p>	 <p>245(L)×134(W)×80.5(H) mm³ 1kg</p>	