

HPL-1064-PB/1~20mJ

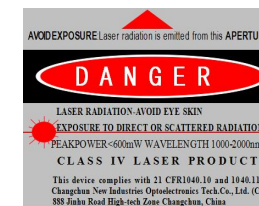
**WATER COOLING LD PUMPED
ALL-SOLID-STATE Q-SWITCHED
LASER at 1064nm**

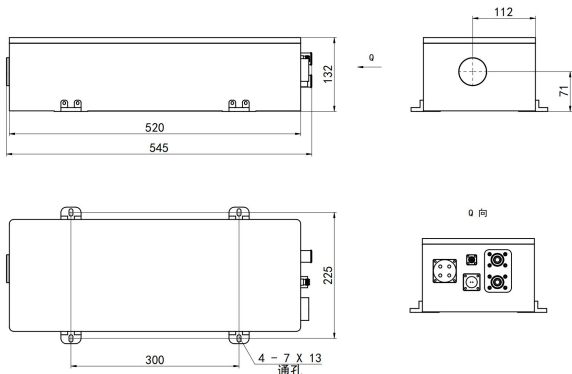
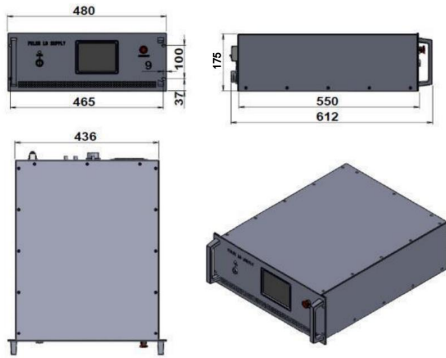
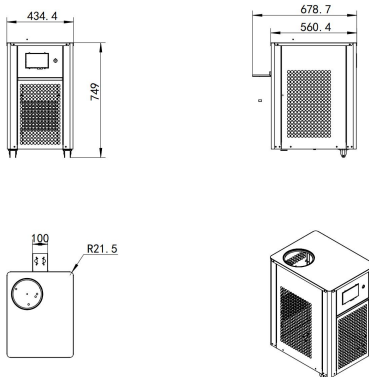
All solid state Q-switched laser at 1064nm has the features of high peak power, high repetition rate, and short pulse duration, which is widely used in marking, carving, measure, scientific research, and so on.



SPECIFICATIONS

Wavelength (nm)	1064±1
Operating mode	Electro-optic Q-switched
Pulse duration (ns)	~10@500Hz
Average power (W)	10
Single pulse energy (mJ)	20
Rep. rate (Hz)	500
Peak power (MW)	2
Power stability (rms, over 4 hours)	<3%
Beam divergence, full angle (mrad)	<2
Beam diameter at the aperture (mm)	~4
Beam height from base plate (mm)	71
Warm-up time(minutes)	<10
Cooled method	Water cooled
Operating temperature (°C)	15~35
Power supply (220/110VAC)	PSU-HPL-PB
Expected lifetime (hours)	10000
Warranty period	1 year



HPL-1064-PB	PSU-HPL-PB	Water Chiller
 <p>545(L) × 225 (W) × 132(H) mm³, 15 kg</p>	 <p>612 (L) × 480(W) × 175(H) mm³, 25 kg</p>	 <p>288(L) × 482(W) × 90(H) mm³, 50 kg</p>

HPL-1064-PB/ 1~100mJ

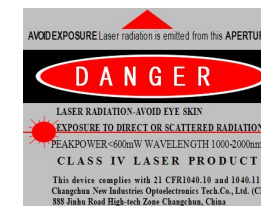
**WATER COOLING LD PUMPED
ALL-SOLID-STATE Q-SWITCHED
LASER at 1064nm**

All solid state Q-switched laser at 1064nm has the features of high peak power, high repetition rate, and short pulse duration, which is widely used in marking, carving, measure, scientific research, and so on.

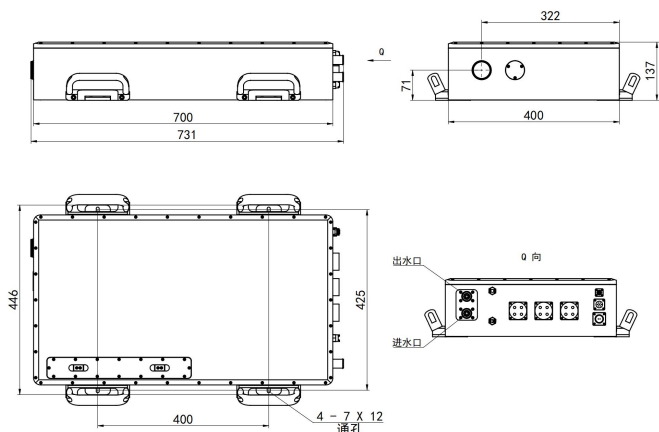


SPECIFICATIONS

Wavelength (nm)	1064±1
Operating mode	Electro-optic Q-switched
Pulse duration (ns)	~10@500Hz
Average power (W)	60
Single pulse energy (mJ)	100
Rep. rate (Hz)	500
Peak power (MW)	10
Power stability (rms, over 4 hours)	<3%
Beam divergence, full angle (mrad)	<1
Beam diameter at the aperture (mm)	~8
Beam height from base plate (mm)	71
Warm-up time(minutes)	<10
Cooled method	Water cooled
Operating temperature (°C)	15~35
Power supply (220/110VAC)	PSU-HPL-PB*3
Expected lifetime (hours)	10000
Warranty period	1 year

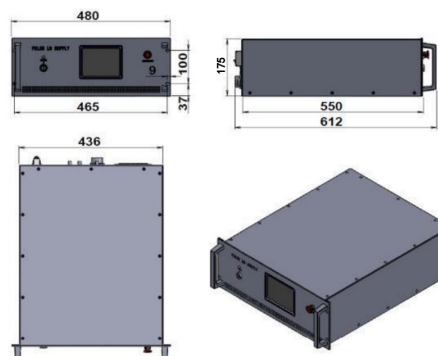


HPL-1064-PB



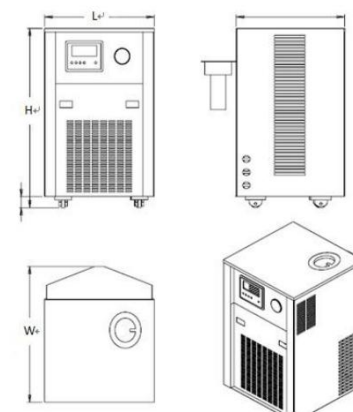
731(L) × 425 (W) × 137(H) mm³, 40 kg

PSU-HPL-PB



612 (L) × 480(W) × 175(H) mm³, 25 kg

Water Chiller



470 (L) × 565(W) × 900(H) mm³, 75kg
525 (L) × 595(W) × 1015(H) mm³, 95kg



HPL-1064-PB/1~500mJ

**WATER COOLING LD PUMPED
ALL-SOLID-STATE Q-SWITCHED
LASER at 1064nm**

All solid state Q-switched laser at 1064nm has the features of high peak power, high repetition rate, and short pulse duration, which is widely used in marking, carving, measure, scientific research, and so on.



SPECIFICATIONS

Wavelength (nm)	1064±1
Operating mode	Electro-optic Q-switched
Pulse duration (ns)	~10@500Hz
Average power (W)	250
Single pulse energy (mJ)	500
Rep. rate (Hz)	500
Peak power (MW)	50
Power stability (rms, over 4 hours)	<3%
Beam divergence, full angle (mrad)	<1
Beam diameter at the aperture (mm)	~20
Beam height from base plate (mm)	71
Warm-up time(minutes)	<10
Cooled method	Water cooled
Operating temperature (°C)	15~35
Power supply (220/110VAC)	PSU-HPL-PB
Expected lifetime (hours)	10000
Warranty period	1 year

