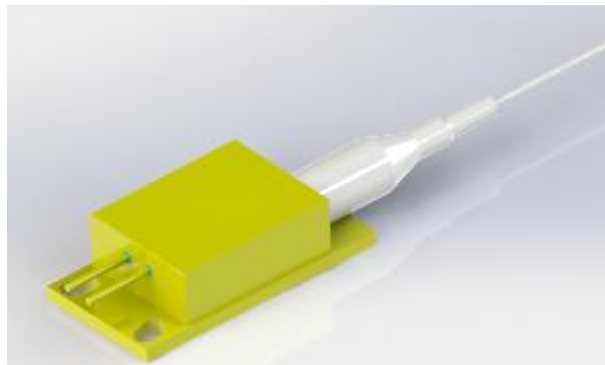


## ■ Features

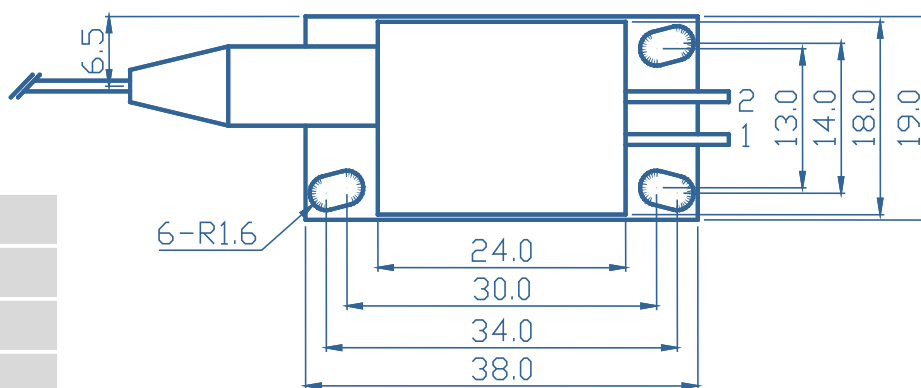
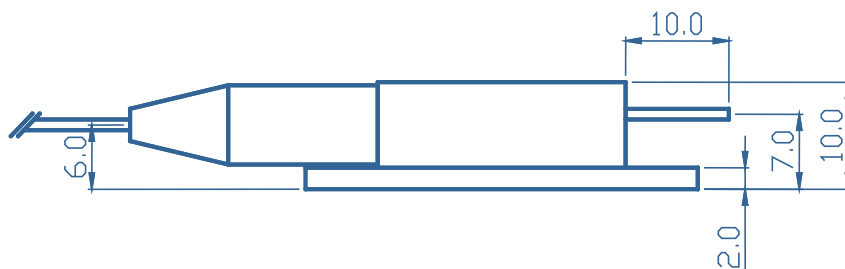
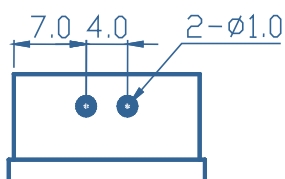
- ◆ High output power of 10W
- ◆ 105μm/0.22NA multimode optical fiber
- ◆ Center wavelength 793±3nm

## ■ Applications

- ◆ Material surface treatment
- ◆ Pump source



## Outline Dimension (mm)



### Pin-out Assignment

Pin	Function
1	LD(+)
2	LD(-)

## Typical Device Performance (25°C)

	Min	Typical	Max	Unit
<b>Optical</b>				
CW Output Power	-	10	-	W
Center Wavelength	-	793±3	-	nm
Spectral Width (90% of Power)	-	<3.0	-	nm
Wavelength Shift with Temperature	-	0.3	-	nm /°C
Feedback Protection (1800-2100nm)	-	30	-	dB
<b>Electrical</b>				
Threshold Current	-	0.7	-	A
Operating Current	-	6	-	A
Operating Voltage	-	3.8	-	V
Slope Efficiency	-	1.9	-	W / A
Power Conversion Efficiency	-	44	-	%
<b>Fiber*</b>				
Fiber Core Diameter	-	105	-	µm
Fiber Cladding Diameter	-	125	-	µm
Fiber Buffer Diameter	-	250	-	µm
Numerical Aperture	-	0.22	-	-
Fiber Length	-	1-5	-	m
Fiber Connector	-	SMA905	-	-

\* Customized fiber and connector available.

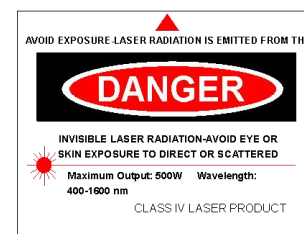
## Absolute Ratings

	Min	Max	Unit
Operating Temperature	15	35	°C
Operating Relative Humidity	-	75	%
Storage Temperature	-20	80	°C
Storage Relative Humidity	-	90	%
Lead Soldering Temperature (10 s max)	-	250	°C

\* Measuring specifications.

All figures in this specification are measured by CNI's method and may contain measurement deviations.

The above specifications are for reference purpose only and subjected to change without prior notice.



Changchun New Industries Optoelectronics Tech. Co., Ltd  
<http://www.cnilaser.com>

### ◆ CONTACT

No.888, JinHu Road, High-tech zone, Changchun  
 130103, R.P. China

Phone: 0086-431-85603799

Fax: 0086-431-87020258