



LR-1064-20/50~80mJ

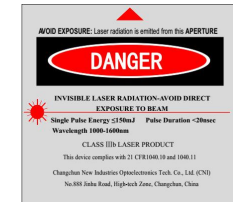
**HIGH ENERGY DIODE
PUMPED ALL-SOLID-STATE
Q-SWITCHED LASER**

High energy diode pumped all solid state Q-switched laser at 1064nm has the features of high single pulse energy, short pulse duration, and high peak power, which is widely used in laser ranging, scientific research, and so on.

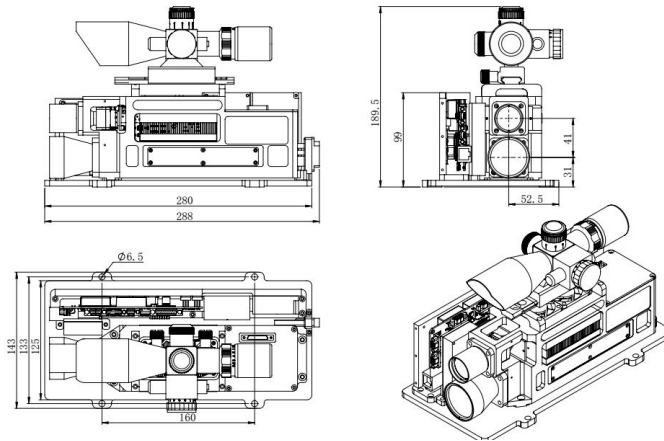


SPECIFICATIONS

| | | |
|------------------------------------|--------------------------------|-----------|
| Wavelength (nm) | 1064±1 | |
| Operating mode | Q-switched: EO (Electro-optic) | |
| Single pulse energy (mJ) | 50 | 80 |
| Pulse duration (ns) | <10 | |
| Rep. rate (Hz) | 20 | |
| Energy stability (std dev/mean) | <3% | |
| Beam divergence, full angle (mrad) | ≤0.5 | |
| Beam diameter (mm) | ~30 | |
| Warm-up time (minutes) | <15 | |
| Beam height from base plate (mm) | 31 | |
| Ranging accuracy(m) | ±2m | |
| Laser ranging distance | 150m-10km | 150m-20km |
| Cooled method | Air cooled | |
| Operating temperature (°C) | -40~60 | |
| Power supply | 24V DC | |
| Expected lifetime (pulses) | 5×10 ⁷ | |
| Warranty period | 1 year | |



LR-1064-20



288(L)×143(W)×99(H)mm³, 4.0 kg

