

MBL-H series



LD PUMPED ALL-SOLID-STATE LASER

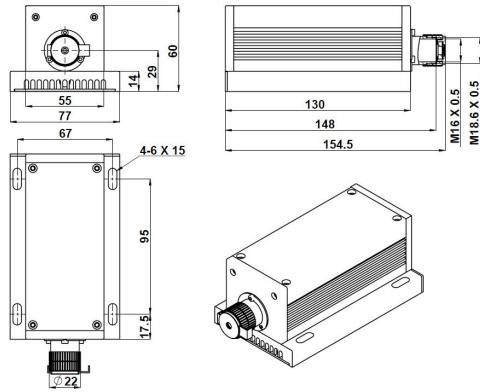
All solid state infrared laser is made features of ultra compact, long lifetime, low cost and easy operating, which is used in scientific experiment, optical instrument, optical sensor, measurement, communication, spectrum analysis, etc.



SPECIFICATIONS

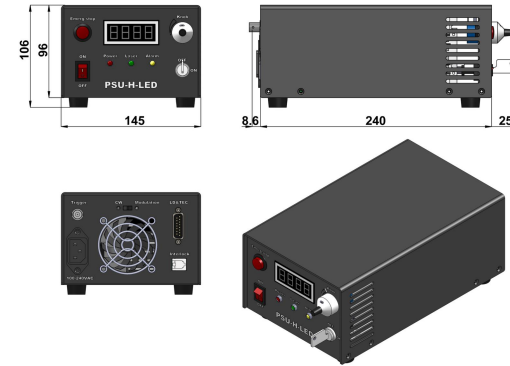
Part number	MBL-H-491
Wavelength (nm)	491±1
Operating mode	CW
Output power (mW)	1-2
Power stability (rms, over 4 hours)	<10%
Transverse mode	Near TEM ₀₀
M ² factor	<1.2
Beam diameter at the aperture (1/e ² , mm)	~1.5
Beam divergence, full angle (mrad)	<1.5
Polarization Ratio	>100:1, (Horizontal or Vertical Optional)
Warm-up time (minutes)	<5
Pointing stability after warm-up (mrad)	<0.05
Beam height from base plate (mm)	29
Operating Temperature (°C)	10~35
Power supply (90-264VAC)	PSU-H-LED/PSU-H-FDA/PSU-H-OEM
Modulation optional	/
Expected lifetime (hours)	10000
Warranty	1 year

LASER HEAD



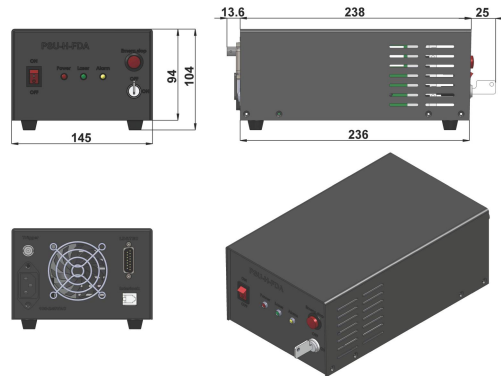
154.5(L)×77(W)×60(H) mm³, 0.9 kg

POWER SUPPLY (PSU-H-LED)



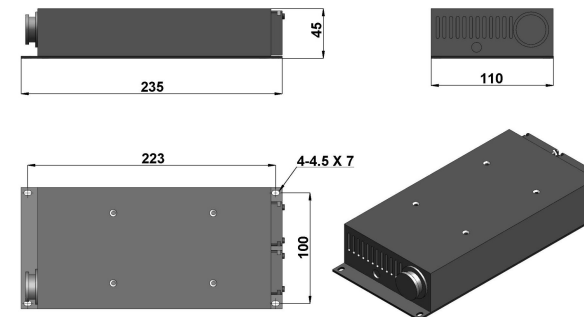
273.6 (L) × 145 (W) × 106 (H) mm³, 2.3 kg

POWER SUPPLY (PSU-H-FDA)



276.6(L) × 145(W) × 103.6(H) mm³, 2.3 kg

POWER SUPPLY (PSU-H-OEM)



235(L) × 110(W) × 45(H) mm³, 1.1 kg