



MBL-W-473/500~2000mW



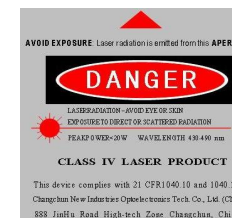
### LD PUMPED ALL-SOLID-STATE BLUE LASER

All solid state 473nm blue laser is made features of ultra compact, long lifetime and easy operating, which is used in fluorescence sensors, Raman spectrum, laser printing, holography, laser display, submarine communication, biomedicine, laser lighting show, etc.

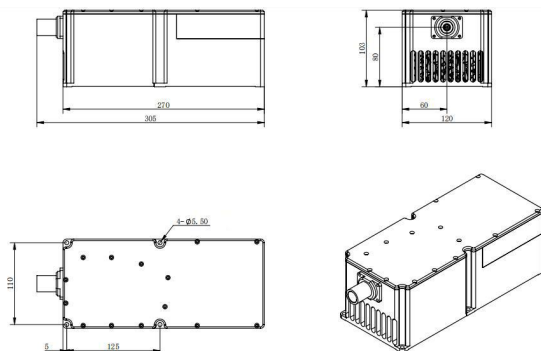


#### SPECIFICATIONS

Model	MBL-W-473A	MBL-W-473-Water
Wavelength (nm)	473±1	
Operating mode	CW	
Output power (W)	>500,1000,1500,2000	>500,1000,1500,2000
Power stability (rms, over 4 hours)	5%, <3%, <2%	<3%, <2%, <1%
Transverse mode	TEM <sub>00</sub>	TEM <sub>00</sub>
M <sup>2</sup> factor	<1.3	<1.3
Beam divergence, full angle (mrad)	~1.0	~1.0
Beam diameter at the aperture (1/e <sup>2</sup> , mm)	~2.0	~2.0
Warm-up time (minutes)	<10	
Polarization ratio	>100:1, Horizontal(Vertical Optional)	
Cooled method	Air Cooled	Water Cooled
Beam height from base plate (mm)	80	85
Operating temperature (°C)	20~30	10~35
Power supply (100-240VAC)	PSU-W-LED/PSU-W-FDA	
TTL / Analog modulation	TTL or Analog with 1Hz-1kHz 1kHz-10kHz, 10kHz-30kHz optional	
Expected lifetime (hours)	10000	
Warranty period	1 year	
Options	Linear power regulation 0-100% with constant beam quality. Part number: MBL-W-457A-HQ/MBL-W-457-Water-HQ.	

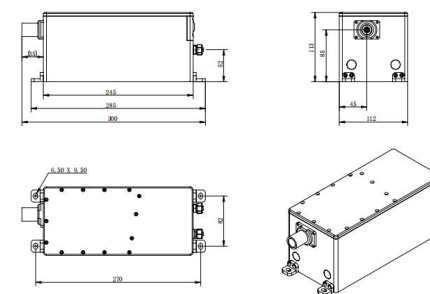


MBL-W-473A



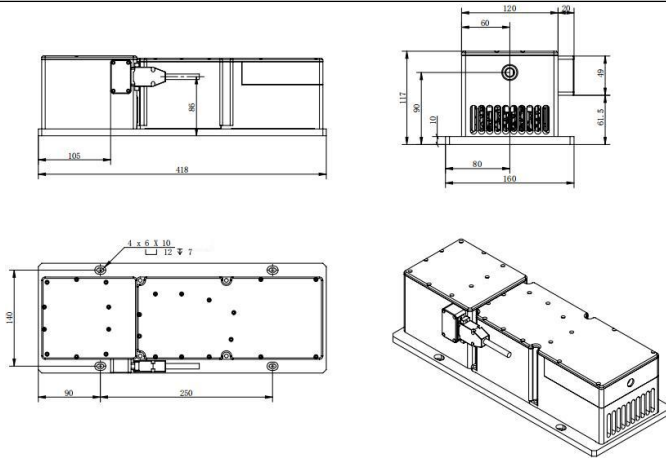
305 (L) × 120 (W) × 103 (H) mm<sup>3</sup>, 5.4 kg

MBL-W-473-Water



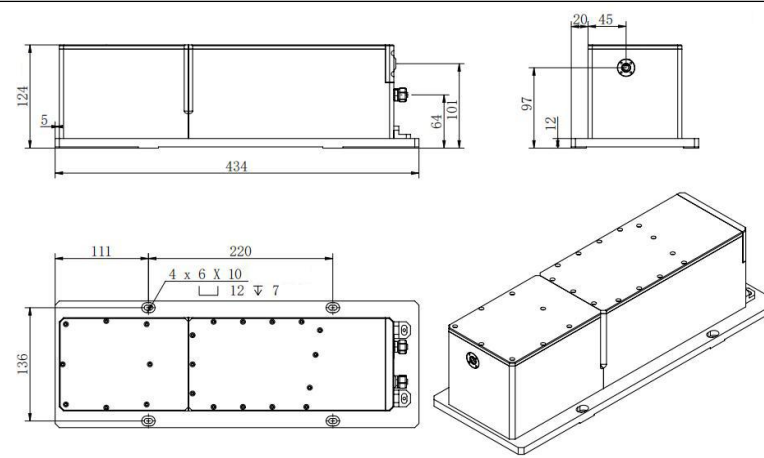
300(L) × 112 (W) × 113 (H) mm<sup>3</sup>, 5.0 kg

MBL-W-473A-HQ



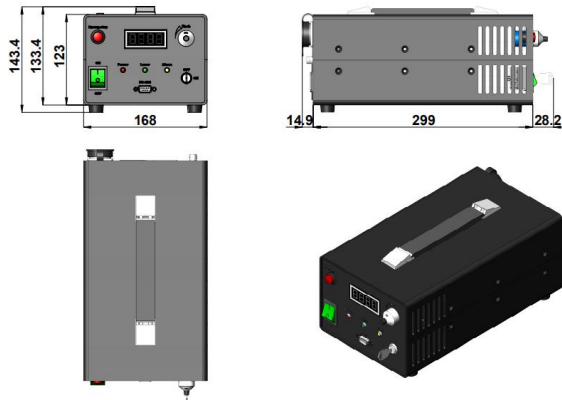
418 (L) × 160 (W) × 117 (H) mm<sup>3</sup>, 9.8 kg

MBL-W-473-Water-HQ



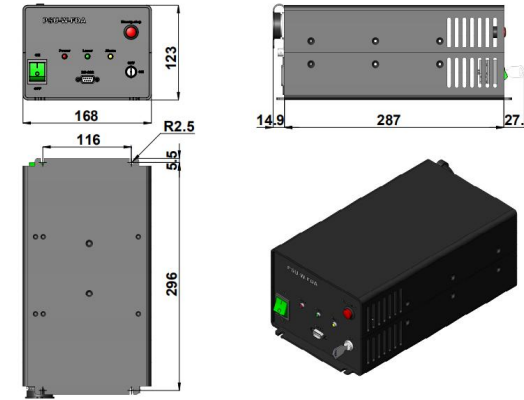
434 (L) × 152 (W) × 124 (H) mm<sup>3</sup>, 9.4 kg

PSU-W-LED



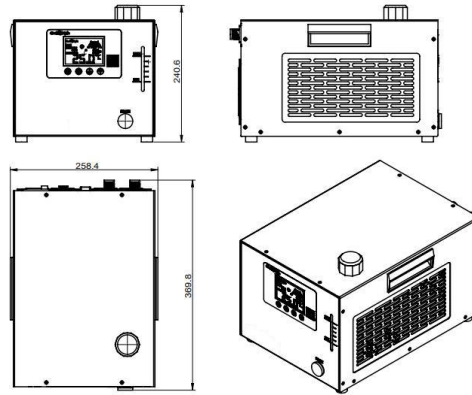
342.1 (L) × 168 (W) × 143.4 (H) mm<sup>3</sup>, 4.2 kg

PSU-W-FDA



329.1 (L) × 168 (W) × 123 (H) mm<sup>3</sup>, 4.1 kg

## Water Chiller (WCH-580)



369.8 (L) × 258.4 (W) × 240.6 (H) mm<sup>3</sup>, 10.5 kg