

MDL-C-488/1~70mW



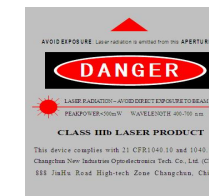
**LONG COHERENT LENGTH
DIODE LASER AT 488nm**

It features a long coherent length, stable wavelength, long lifetime and easy operation. They are widely used in holography, interference, fluorescence, photoetching, flow cytometry, DNA sequencing, Raman spectroscopy, Laser radar, precision measurement, etc.

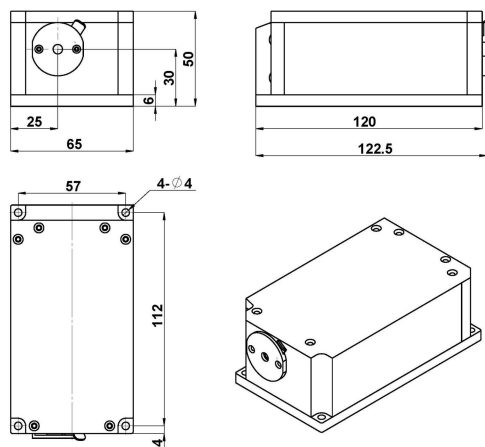


SPECIFICATIONS

Central wavelength (nm)	488±0.5	
Operating mode	CW	
Output power (mW)	>1, 5, 10, ...,30	>30, 40, ...,70
Power stability (rms, over 4 hours)	<3%, <2%, <1%	
Transverse mode	Near TEM ₀₀	
Coherent length (m)	>1	
M ² factor	<1.5	
Beam diameter at the aperture (1/e ² ,mm)	~2.0	
Beam divergence, full angle (mrad)	~1.5	
Polarization ratio	>50:1 (>100:1, optional) Horizontal±5 degree (Vertical Optional)	
Warm-up time (minutes)	<5	
Beam height from base plate (mm)	30	
Operating temperature (°C)	20~30	
Power supply (100-240VAC)	PSU-A-D	
Expected lifetime (hours)	10000	
Warranty	1 year	



MDL-C-488



122.5(L) × 65(W) × 50 (H) mm³, 1.0kg

PSU-A-D



162(L) × 144(W) × 70 (H) mm³, 1.0kg