

MDL-C-640/1~50mW



**LONG COHERENT LENGTH
DIODE LASER AT 640nm**

It features a long coherent length, stable wavelength, long lifetime and easy operation. They are widely used in holography, interference, fluorescence, photoetching, flow cytometry, DNA sequencing, Raman spectroscopy, Laser radar, precision measurement, etc.

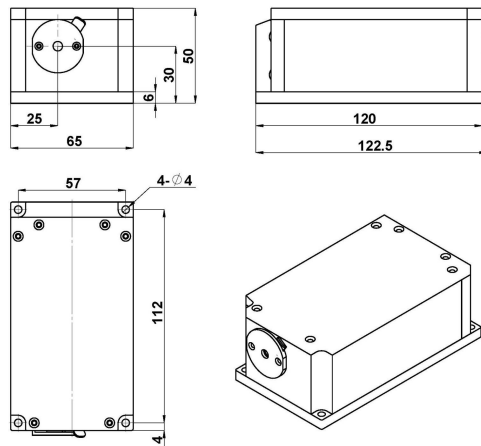


SPECIFICATIONS

| | |
|--|---|
| Central wavelength (nm) | 640±5 |
| Operating mode | CW |
| Output power (mW) | >1, 2, 3, ...,50 |
| Power stability (rms, over 4 hours) | <3%, <2%, <1% |
| Transverse mode | Near TEM ₀₀ |
| Coherent length (m) | >1 |
| M ² factor | <1.5 |
| Beam diameter at the aperture (1/e ² ,mm) | ~2.0 |
| Beam divergence, full angle (mrad) | <1.5 |
| Polarization ratio | >50:1 (>100:1, optional) Horizontal±5 degree (Vertical Optional) |
| Warm-up time (minutes) | <5 |
| Beam height from base plate (mm) | 30 |
| Operating temperature (°C) | 20~30 |
| Power supply (100-240VAC) | PSU-A-D |
| Expected lifetime (hours) | 10000 |
| Warranty | 1 year |



MDL-C-640



122.5(L) × 65(W) × 50 (H) mm³, 1.0kg

PSU-A-D



162(L) × 144(W) × 70 (H) mm³, 1.0kg