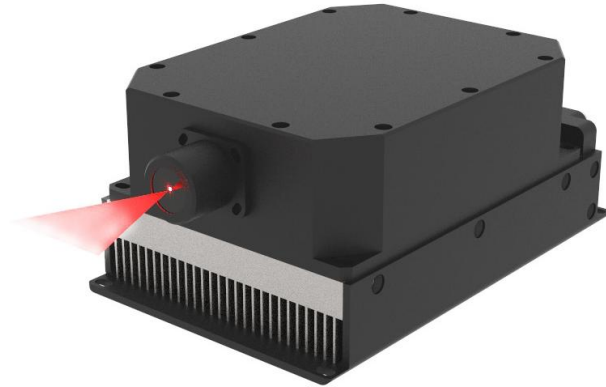




MDL-DF-808nm Line Laser



MDL-DF-808nm Line Laser

The laser is made features of high power, high straightness, perfect line uniformity and high stability to adapt to various environments.

MDL-DF-808nm Line Laser with its higher laser intensity, higher reliability works professionally in road detection, railway detection, tunnel and high-speed rail detection, etc.

FEATURES

- Output power up to 20W
- TTL/ Analog modulation up to 30kHz
- Independent cooling, high stability

APPLICATIONS

- Road detection
- Railway detection
- Tunnel detection
- High-speed rail detection



SYSTEM SPECIFICATION*

Wavelength	nm	808
Wavelength tolerance	nm (typical)	±3
Maximum output power	W	20
Power stability (rms, over 4hours)		<3%, <2%, <1%
Line angle		75°, 90°, 110°
Laser operation mode		CW
Luminance uniformity		80%
Straightness error		Less than 0.5%
85% peak power proportion in corss-section		95%
Temperature & power stability		Less than 0.5%
Expected lifetime	hours	10,000

ELECTRICAL SPECIFICATIONS

Power supply		PSU-W-LED	PSU-W-FDA
Input voltage		100-240V AC	
Modulation		TTL modulation Analog modulation	
Modulation frequency	kHz	TTL up to 30 Analog up to 30	

ENVIRONMENTAL CONDITIONS

Operating temperature	°C	10°C to 35°C
Storage temperature	°C	-20 °C to +80 °C
Humidity	%	< 90 %, non-condensing

MECHANICAL SPECIFICATIONS

Dimensions of laser head	mm	199 x 117 x 79.5	
Dimensions of power supply	mm	PSU-W-LED	PSU-W-FDA
		299 x 168 x 133	307 x 168 x 123
Material		Aluminum	

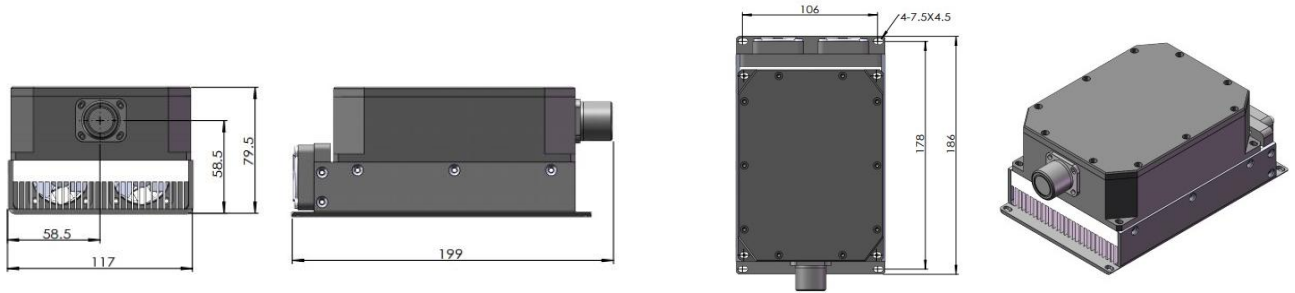
KEYNOTES

*All testing data under the conditions of temperature 25°C.

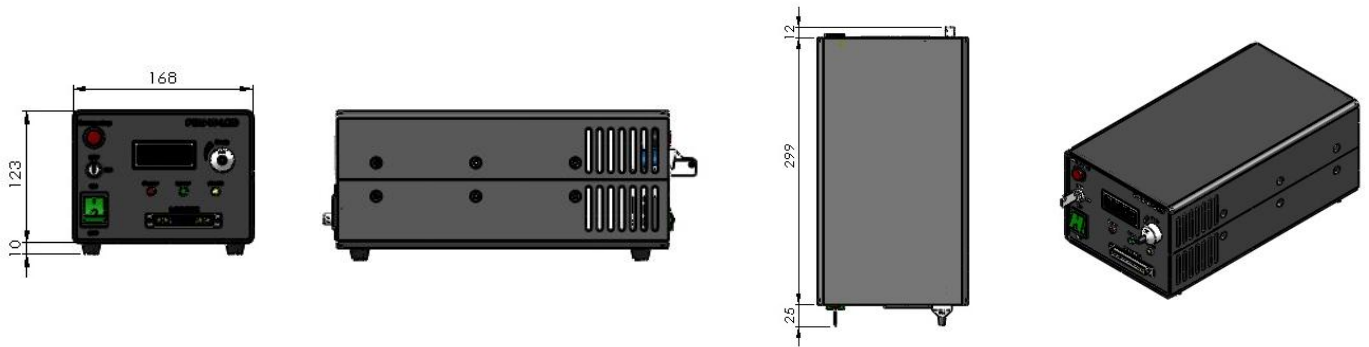


中国长春新产业光电技术有限公司
Changchun New Industries Optoelectronics Tech. Co., Ltd

DIMENSIONS OF LASER HEAD (mm):



DIMENSIONS OF POWER SUPPLY FOR PSU-W-LED (mm):



DIMENSIONS OF POWER SUPPLY FOR PSU-W-FDA (mm):

