

**MDL-III-505-SM/1~30mW**



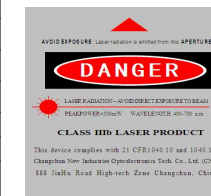
**GREEN DIODE LASER  
AT 505nm**

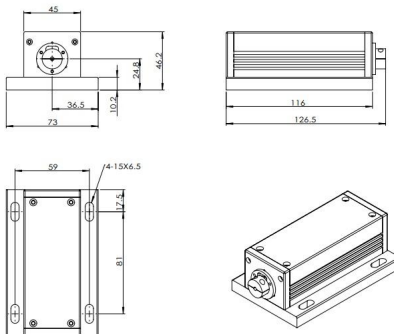
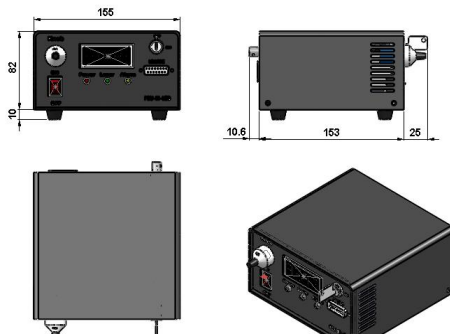
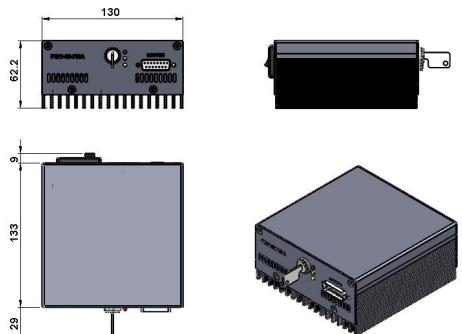
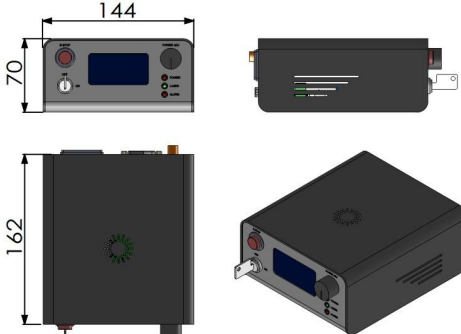
It features ultra compact design, long lifetime, cost-effectiveness and easy operation. They are used in measurement, communication, spectrum analysis, etc.



**SPECIFICATIONS**

Central wavelength (nm)	505±10
Operating mode	CW
Output power after fiber (mW)	>1, 2, 3, ...,30
Power stability (rms, over 4 hours)	<3%, <2%, <1%, <0.5%
Fiber type	SM fiber (PM fiber optional)
Fiber Core Diameter(μm)	4-9
Fiber NA	0.12
Fiber Connector	FC/PC, FC/APC
Fiber Length (m)	1 (Other lengths are available on request)
Transverse mode	TEM <sub>00</sub>
Ellipticity	>0.95
M <sup>2</sup> factor after fiber	~1.1
Warm-up time (minutes)	<5
Operating temperature (°C)	10~35
Power supply	85-264VAC
	100-240VAC
Modulation optional	PSU-III-LED/ PSU-III-FDA (Frequency for 1Hz-30kHz)
	PSU-A-D (Frequency for 30kHz -100kHz)
Expected lifetime (hours)	10000
Warranty	1 year



MDL-III-505-SM	PSU-III-LED	PSU-III-FDA	PSU-A-D
 <p style="text-align: center;"><b>126.5(L) × 73(W) × 46.2(H) mm<sup>3</sup>, 0.7kg</b></p>	 <p style="text-align: center;"><b>188.6 (L) × 155(W) × 92 (H) mm<sup>3</sup>, 1.5kg</b></p>	 <p style="text-align: center;"><b>171(L) × 130(W) × 62.2 (H) mm<sup>3</sup>, 1.2kg</b></p>	 <p style="text-align: center;"><b>162(L) × 144(W) × 70 (H) mm<sup>3</sup>, 1.0kg</b></p>