



MDL-III-P-1550/1~15mW



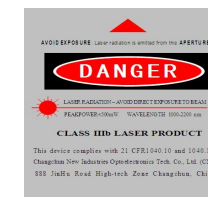
**INFRARED DIODE LASER  
AT 1550nm**

It features ultra compact design, long lifetime, cost-effectiveness and easy operation. They are used in measurement, communication, spectrum analysis, etc.

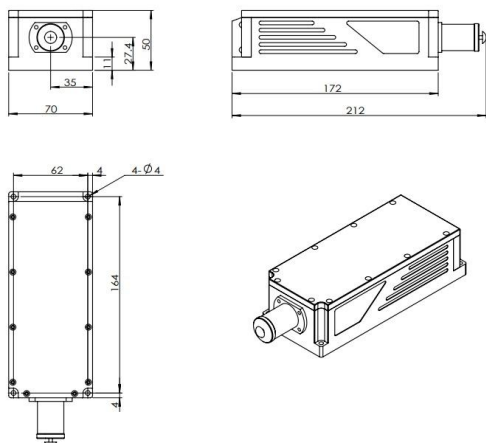


SPECIFICATIONS

|   |                    |
|---|--------------------|
| Central wavelength (nm)                                   | 1550±10            |
| Operating mode  | Modulation (Pulse) |
| Output power (mW)   | >1, 2, 3,..., 15   |
| Transverse mode   | Multimode          |
| Dimensions of beam at the aperture (1/e <sup>2</sup> ,mm) | ~3.5               |
| Beam divergence, full angle (mrad)                        | <16                |
| Single pulse energy (μJ)                                  | ~2.3 (@6kHz)       |
| Pulse duration (ns)                                       | ~150 (@6kHz)       |
| Peak power (W)  | ~15.3 (@6kHz)      |
| Rep. rate (kHz)   | 1~6                |
| Warm-up time (minutes)                                    | <5                 |
| Beam height from base plate (mm)                          | 27.4               |
| Operating temperature (°C)                                | 10~35              |
| Power supply (100-240VAC)                                 | PSU-A-D            |
| Expected lifetime (hours)                                 | 10000              |
| Warranty  | 1 year             |

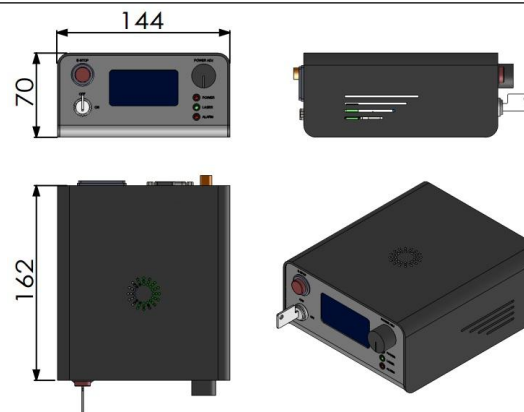


MDL-III-P-1550



212(L)×70(W)×50(H) mm<sup>3</sup>, 1.2kg

PSU-A-D



162(L)×144(W)×70(H) mm<sup>3</sup>, 1.0kg