



MDL-III-P-905/1~25mW



**INFRARED DIODE LASER
AT 905nm**

It features ultra compact design, long lifetime, cost-effectiveness and easy operation. They are used in measurement, communication, spectrum analysis, laser ranging etc.

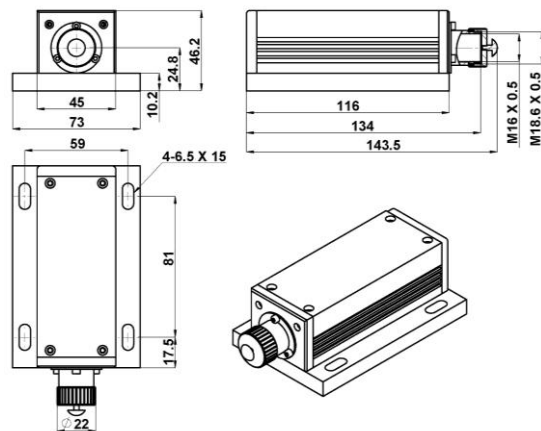


SPECIFICATIONS

| | |
|---|--------------------|
| Central wavelength (nm) | 905±10 |
| Operating mode | Modulation (Pulse) |
| Output power (mW) | >1, 2, 3, ..., 25 |
| Transverse mode | Multimode |
| Dimensions of beam at the aperture (mm) | ~10×10 |
| Beam divergence, full angle (mrad) | <30 |
| Pulse duration (ns) | ~20 (@10kHz) |
| Peak power (W) | ~135 (@10kHz) |
| Rep. rate (kHz) | 1~10 |
| Warm-up time (minutes) | <5 |
| Beam height from base plate (mm) | 24.8 |
| Operating temperature (°C) | 10~35 |
| Power supply (100-240VAC) | PSU-III-LED |
| Expected lifetime (hours) | 10000 |
| Warranty | 1 year |

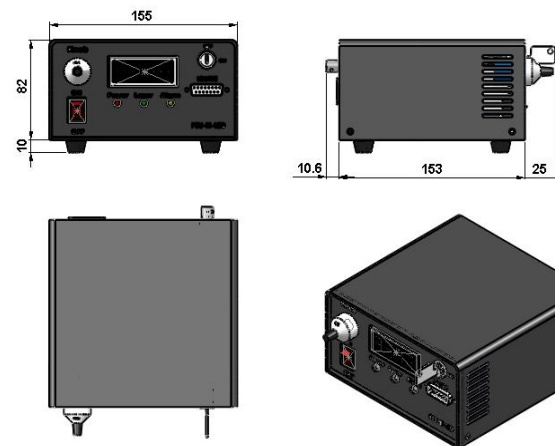


MDL-III-P-905



143.5(L)×73(W)×46.2(H) mm³, 0.7kg

PSU-III-LED



188.6 (L) ×155(W) ×92 (H) mm³, 1.5kg