

MDL-NS-655/1~180mW



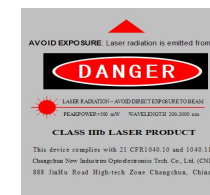
NANOSECOND PULSED RED DIODE LASER AT 655nm

This series laser products with excellent material removal rate, are widely used in microelectronics, material processing, solar energy and medical equipment manufacturing, etc.

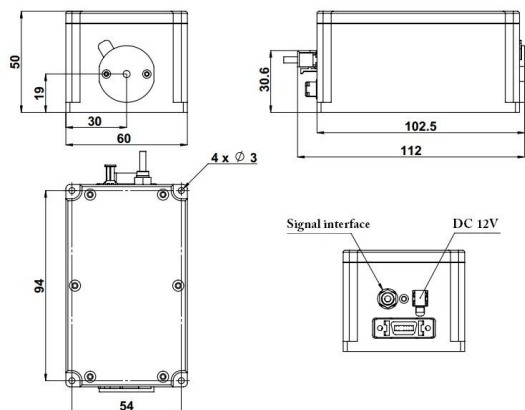


SPECIFICATIONS

Central wavelength (nm)	655±10	
Output power@3.3VDC (mW, CW)	>1, 10, 20, ...,100	>100, 110, ...,180
Power stability (rms, over 4 hours)	Power adjustable by software	
	<3%, <2%, <1%	
Pulse width (FWHM)	>10ns, 20ns, ...,10ms	>15ns, 20ns, ...,10ms
Transverse mode	Near TEM ₀₀	
Noise of amplitude(rms, CW)	<1%	
M ² factor	<1.2	
Beam diameter at the aperture (1/e ² ,mm)	~1.2	
Beam divergence, full angle (mrad)	<1.0	
Polarization ratio	>50:1 (>100:1, optional) Horizontal±5 degree (Vertical Optional)	
User trigger frequency (Multifunctional Pulse Trigger optional)	1Hz-30MHz (1Hz-25MHz by using CNI Multifunctional Pulse Trigger)	
Rise Time (ns)	<4	<10
Fall Time (ns)	<3	<3
Modulation Depth (extinction ratio)	>1000000:1	
Warm-up time (minutes)	<5	
Beam height from base plate (mm)	19	
Operating temperature (°C)	10~35	
Input voltage	+12VDC	
Expected lifetime (hours)	10000	
Warranty	1 year	

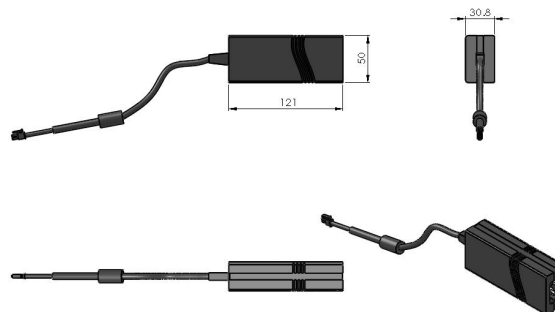


MDL-NS-655



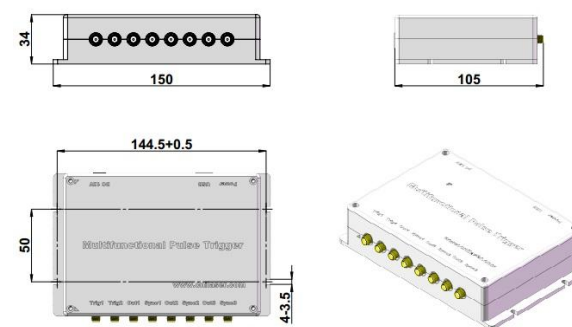
112(L) × 60(W) × 50(H) mm³, 0.5kg

Optional Power Supply



121(L) × 50(W) × 30.8 (H) mm³, 0.3kg

Multifunctional Pulse Trigger



150(L) × 105(W) × 34(H) mm³, 0.5kg