



MDL-PS-660/1~50mW



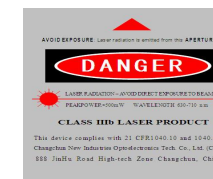
**PICOSECOND PULSED RED
DIODE LASER AT 660nm**

It features integrated electronics, repetition rate 100kHz to 20MHz, synchronized signal output. Fast ON/ OFF/ multiplexing capability. Suitable for fluorescence excitation, time resolve spectrum, highly sensitive absorption spectroscopy, etc.

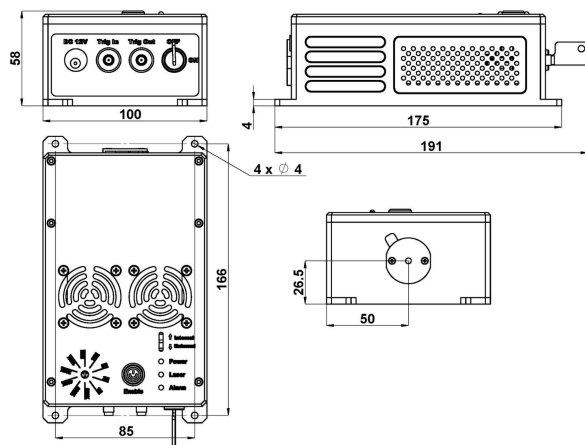


SPECIFICATIONS

Central wavelength (nm)	660±5
Operating mode	Pulsed
Peak power (mW)	1~50
Power stability (rms, over 4 hours)	<3%, <2%, <1%
Pulse width (ps)	100~1000 (unadjustable)
Transverse mode	Near TEM ₀₀
User trigger frequency	100kHz~20MHz (Internal trigger available)
Beam diameter at the aperture (1/e ² , mm)	~1.2
Beam divergence, full angle (mrad)	~1.0
Warm-up time (minutes)	<5
Beam height from base plate (mm)	26.5
Operating temperature (°C)	10~35
Operating voltage	DC12V 4A
Warranty	1 year

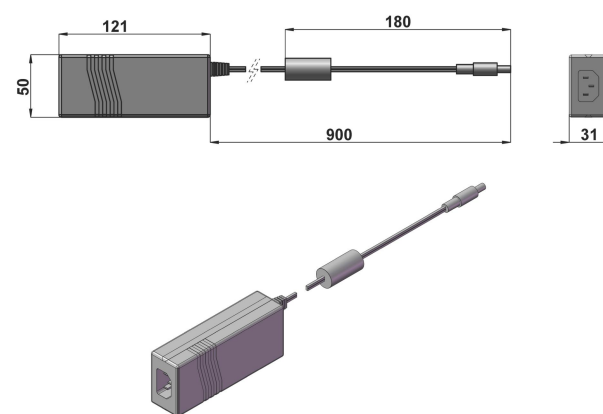


MDL-PS-660



191(L)×100(W)×58(H) mm³, 1.2kg

Optional Power Supply (100-240VAC)



121(L)×50(W)×31(H) mm³, 0.3kg