

MDL-XS-G-505/SM/1-2/50

Fiber Coupled Laser

The laser is coupled with 1 to 2 single mode fiber.

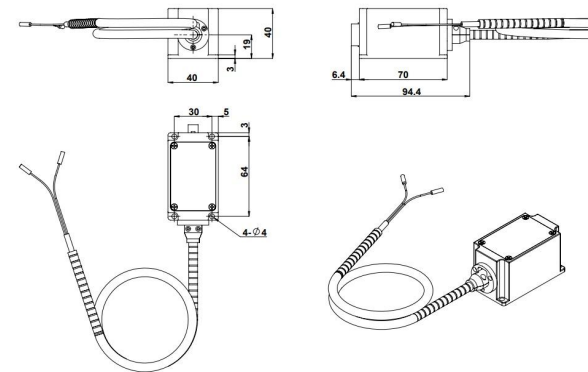
Adjusting the laser on/off, output power, modulation mode and read working hours by operating software.



Wavelength (nm)	505±2
Operating mode	CW
Output power after per collimator (mW)	≥10
Splitting ratio	50:50
Power stability (rms, over 4 hours)	<1%
Fiber type	1 to 2 SM fiber
Fiber length	~1m
Beam diameter after collimator@200mm (mm)	0.9±0.05
External diameter of collimator (mm)	3.2±0.02
Length of collimator (mm)	10mm
Warm-up time (minutes)	<5
Operating temperature (°C)	10~35
Input voltage	DC12V
Modulation	TTL + Analog
Expected lifetime (hours)	10000
Warranty	1 year

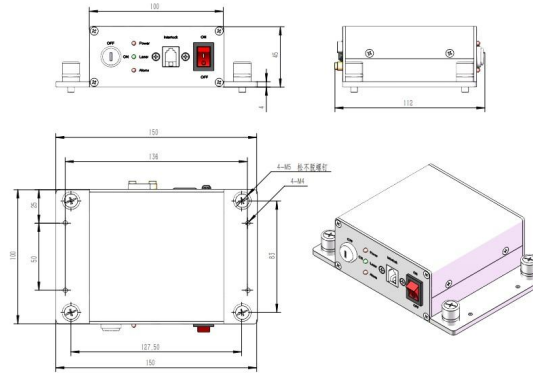
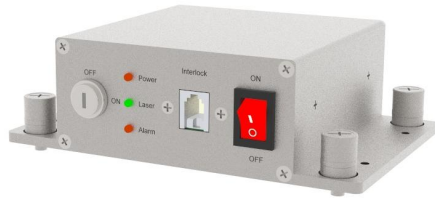


MDL-XS-G-505/SM/1-2/50



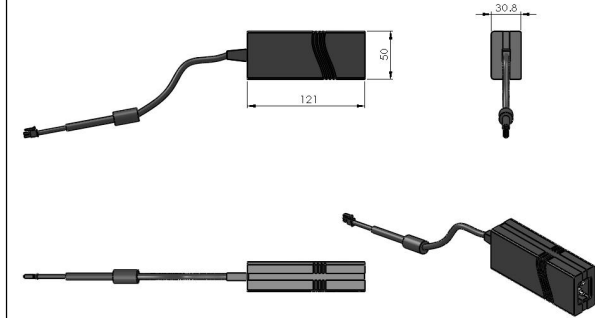
94.4(L) × 40(W) × 40 (H) mm³, 0.2kg

Power Supply



112(L) × 150(W) × 45(H) mm³, 0.6kg

Adaptor



121(L) × 50(W) × 30.8(H) mm³, 0.3kg