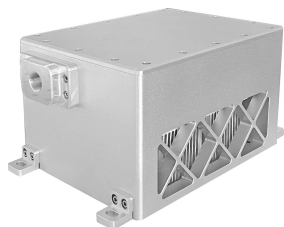




MGL-D-532/20~30W



LD PUMPED ALL-SOLID-STATE GREEN LASER

All solid state 532nm green laser is made features of ultra compact, long lifetime and easy operating, which is widely used in collimation, laser medical treatment, scientific experiment, optical instrument, laser display, laser lighting show, etc.

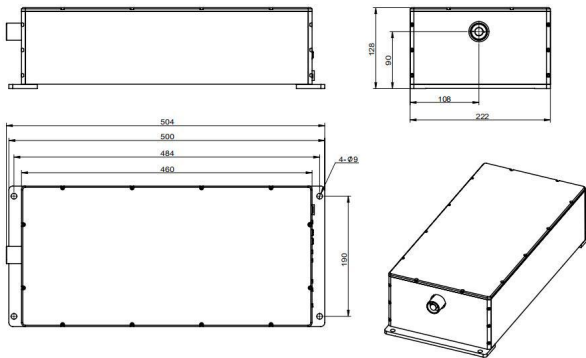
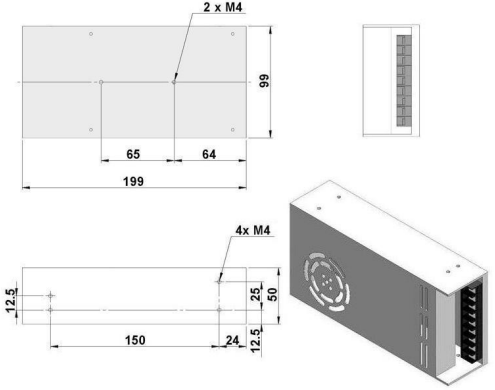
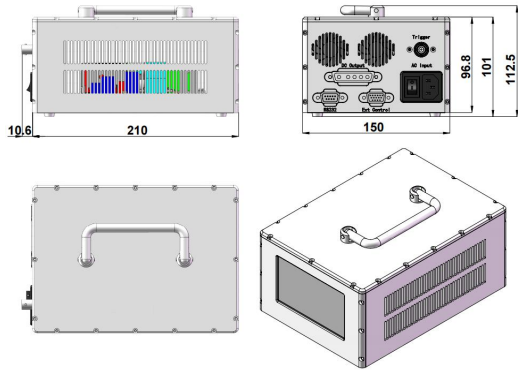
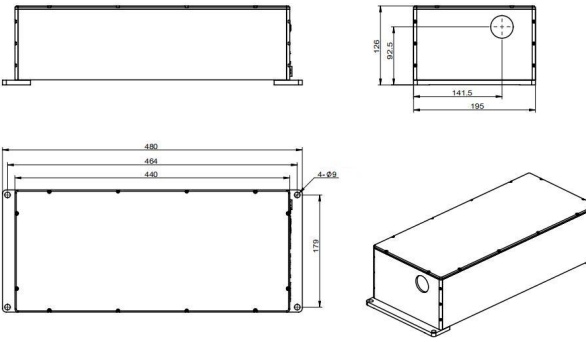
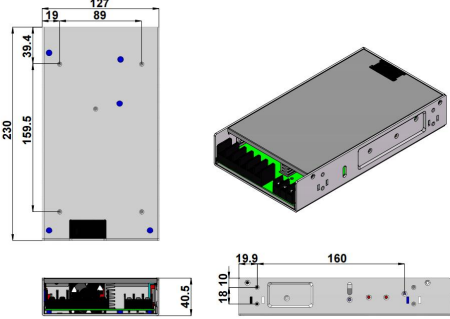
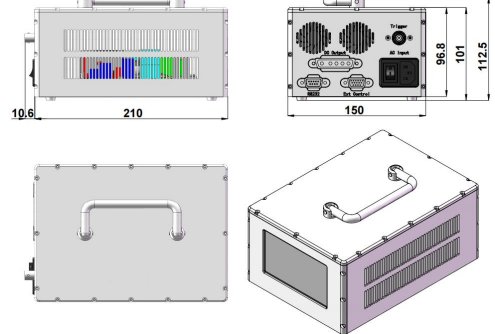


SPECIFICATIONS

Model	MGL-D-532	MGL-D-532-Water	
Wavelength (nm)	532±1		
Operating mode	CW		
Output power (W)	>20, 21, ..., 30	>20, 21, ..., 25	>25, 26, ..., 30
Power stability (rms, over 4 hours)	<5%, <3%, <1%		
Transverse mode	Near TEM ₀₀	TEM ₀₀	
M ² factor	~10	<1.5	
Beam divergence, full angle (mrad)	<1.5		
Beam diameter at the aperture (1/e ² , mm)	~4.0	~1.5	
Cooled method	Air Cooled	Water Cooled	
Warm-up time (minutes)	<10		
Beam height from base plate (mm)	88.5	90	92.5
Operating temperature (°C)	10~35		
Power supply	PSU-DEP-W	DC 24V/13A (PSU-24/PSU-24-C optional)	DC 30V/18.6A (PSU-30/PSU-36-C optional)
Expected lifetime (hours)	10000		
Warranty period	1 year		
Options	(1)Linear power regulation 0-100% with constant beam quality. Part number: MGL-D-532-HQ/MGL-D-532-Water-HQ. (2)Repetition rate up to 2MHz. Part number: MGL-D-532-AOM/MGL-D-532-Water-AOM.		



MGL-D-532	PSU-DEP-W ^①	Water Chiller (WCH-580)
<p>236 (L) × 140 (W) × 115 (H) mm³, 4.5 kg</p>	<p>288 (L) × 221 (W) × 148 (H) mm³, 7.0 kg</p>	<p>369.8 (L) × 258.4 (W) × 240.6 (H) mm³, 10.5 kg</p>

<p>MGL-D-532-Water (20~25W) <i>Integrated electronics</i></p>	<p>PSU-24^② (Power supply 100-240VAC)</p>	<p>PSU-24-C^③ (Power supply 100-240VAC)</p>
 <p>504 (L) × 222 (W) × 128 (H) mm³, 17 kg</p>	 <p>DC 24V 13A; 199 (L) × 99 (W) × 50 (H) mm³, 0.9 kg</p>	 <p>220.6 (L) × 150 (W) × 112.5 (H) mm³, 2.7 kg</p>
<p>MGL-D-532-Water (25~30W) <i>Integrated electronics</i></p>	<p>PSU-30^② (Power supply 100-240VAC)</p>	<p>PSU-36-C^③ (Power supply 100-240VAC)</p>
 <p>480 (L) × 195 (W) × 126 (H) mm³, 16 kg</p>	 <p>DC 30V 18.6A; 199 (L) × 99 (W) × 50 (H) mm³, 0.9 kg</p>	 <p>220.6 (L) × 150 (W) × 112.5 (H) mm³, 2.7 kg</p>

Note:

- ① The laser head and power supply cannot be separated.
- ② Adaptor for 24V/13A or 30V/18.6A.
- ③ Adaptor for 24V/13A or 30V/18.6A, and laser on/off control function is included.