



MGL-DP-xxx-C series

LD PUMPED ALL-SOLID-STATE LASER

All solid-state CW mode laser is made features of ultra compact, easy operating, high power and stability, which is perfect for flow cytometry, spectrum analysis, microscopy, semiconductor inspection, cell sorting, optical instrument, , physics experiment, etc.



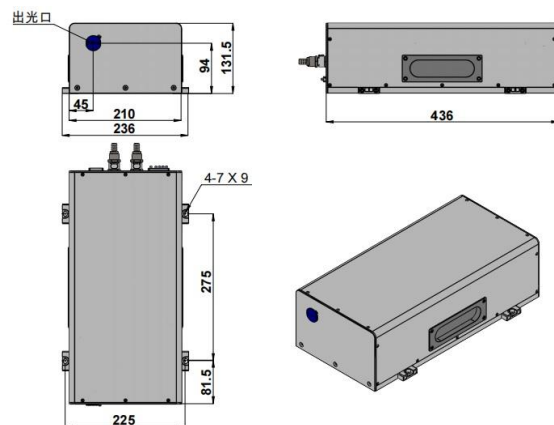
SPECIFICATIONS

Part number	MGL-DP-522-C
Central wavelength (nm)	522 ± 1
Operating mode	CW
Output power (mW)	3000-7000
Power stability (rms, over 4 hours)	<3%, <2%, <1%
Transverse mode	TEM ₀₀
Beam diameter at the aperture (1/e ² , mm)	3.0
Beam divergence, full angle (mrad)	<5.0
Warm-up time (minutes)	<10
Polarization Ratio	>100:1 Horizontal (Vertical Optional)
Beam height from base plate (mm)	94
Cooled method (Water Cooled)	WCH-580
Operating temperature (°C)	10-35
Power supply	12V DC (Photoelectric integrated)
Warranty	1 year

Note: The laser head must be used on a water cooling system.



LASER HEAD



436(L)×236(W)×131.5(H) mm³, 16.6 kg

Water Chiller(WCH-580)



345 (L) ×248 (W) ×215(H) mm³, 10.5 kg