



MGL-DS series

LD PUMPED ALL-SOLID-STATE LOW NOISE GREEN LASER



All solid state single longitudinal mode green laser is made features of ultra compact, small size, photoelectric integrated, built-in electric shutter, long lifetime, low cost and easy operating, which is used in DNA sequencing, flow cytometry, cell sorting, optical instrument, spectrum analysis, interference, measurement, holography, physics experiment, etc.



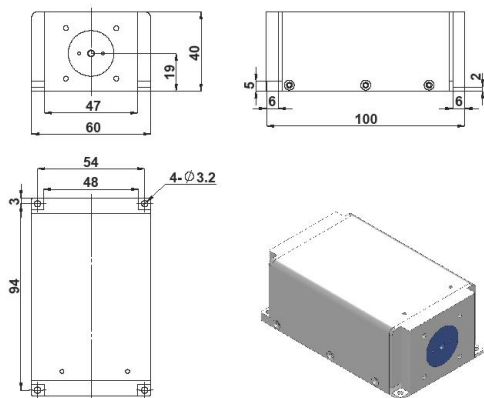
SPECIFICATIONS

Part number	MGL-DS-530	MGL-DS-532
Wavelength (nm)	530±1	532±1
Operating mode	CW	
Output power before fiber (mW)	1-50	1-150
Power stability (rms, over 4 hours)	<3%, <2%, <1%	<3%, <2%, <1%
Transverse mode	TEM ₀₀	
M ² factor	<1.2, <1.1	
Beam diameter at the aperture(1/e ² ,mm)	<1.0	
Beam divergence, full angle (mrad)	<1.5	
Polarization ratio	>100:1, Horizontal (Vertical Optional)	
Pointing stability after warm-up (mrad)	<0.05	
Pointing stability Over Temp. (μrad/°C)	<8	
Warm-up time (minutes)	<5	
Beam height from base plate (mm)	19	
Power Consumption(W)	<6	
Fiber(optional)	Multi mode/Single Mode	
Shock Tolerance(6ms)	7g laterally, 15g vertically	
Power Supply	5V DC (Photoelectric integrated)	
Operating temperature (°C)	10-35	
Storage temperature (°C)	5-50	
Modulation	Modulation isn't available.	
Expected lifetime (hours)	10000	
Warranty	1 year	

Note: The laser head needs to be used on a heat sink with good heat dissipation.

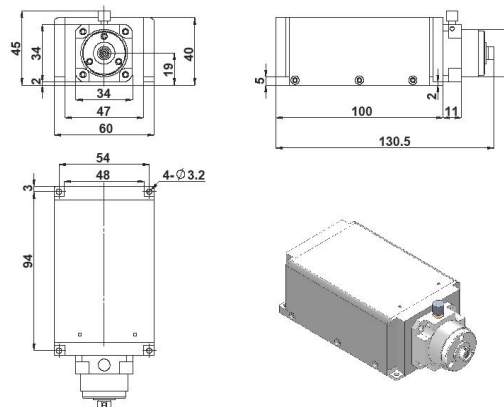


LASER HEAD (Without Fiber)



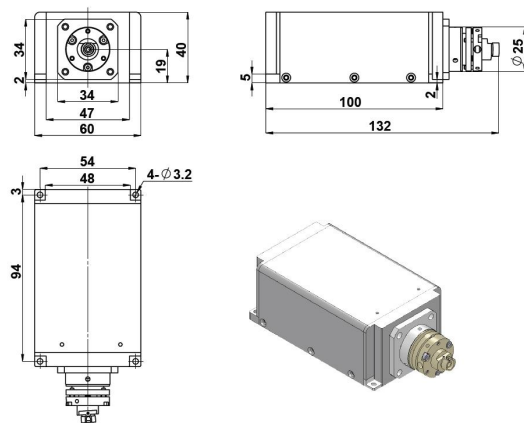
100 (L) × 60 (W) × 40 (H) mm³, 0.41kg

LASER HEAD (With Multi mode Fiber)



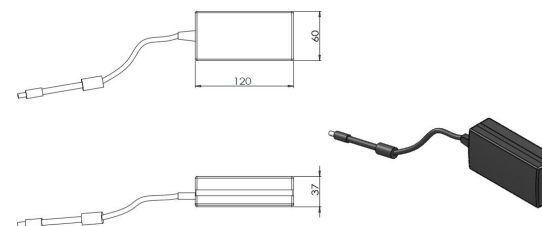
130.5(L) × 60(W) × 45(H) mm³, 0.5kg

LASER HEAD (With Single Mode Fiber)



139(L) × 60(W) × 46(H) mm³, 0.54kg

POWER ADAPTER



130.5(L) × 60(W) × 45(H) mm³, 0.5kg