



MGL-F-532-SM



SM FIBER OUTPUT LASER

CNI has a long experience in the delivery of fiber coupled laser light sources providing high efficiency and long term stability. All laser types can be offered with appropriate fiber coupling systems. This type is specifically designed for single-mode fiber(include PM) coupling with high power stability and long term stability.



SPECIFICATIONS

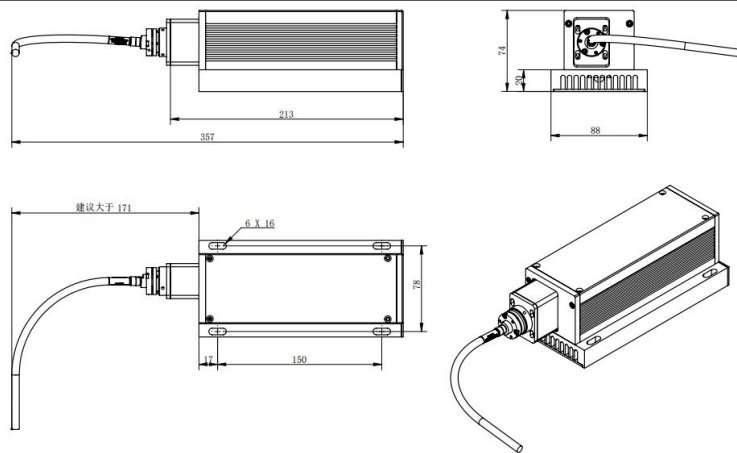


Part number	MGL-F-532-SM
Wavelength (nm)	532±1
Operating mode	CW
Output power (mW)	150-1000
Power stability (rms, over 4 hours)	5%, <3%, <1%
Transverse mode	TEM ₀₀ (single mode fiber output)
M ² factor	<1.1
Fiber numerical aperture	0.10-0.12
Polarization ratio	No polarization (>50:1 after PM fiber)
Fiber type	SM fiber (PM fiber optional)
Fiber connector	FC
Fiber jacket	PVC
Fiber length	1m (Other lengths can be customized)
Warm-up time (minutes)	<10
Cooled method	Air Cooled (Water Cooled optional)
Operating temperature (°C)	10~30
Power supply (90-264VAC or 5VDC)	PSU-H-LED/ PSU-H-FDA
Modulation optional	TTL on/off, 1Hz-1KHz, 1KHz-10KHz, 10KHz-30KHz; and Analog modulation optional
Expected lifetime (hours)	10000
Warranty	1 year

Note: The laser head needs to be used on a heat sink with good heat dissipation.



LASER HEAD



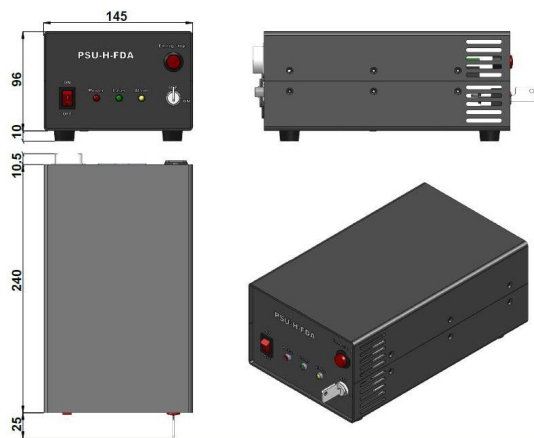
357 (L) × 88 (W) × 74 (H) mm³

POWER SUPPLY (PSU-H-LED)



275.5 (L) × 145 (W) × 106 (H) mm³, 2.5 kg

POWER SUPPLY (PSU-H-FDA)



275.5 (L) × 145 (W) × 106 (H) mm³, 2.5 kg