

MGL-N-532/3~5W



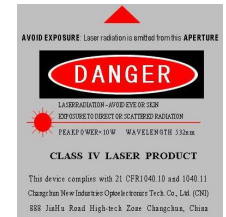
LD PUMPED ALL-SOLID-STATE GREEN LASER

All solid state 532nm green laser is made features of ultra compact, long lifetime and easy operating, which is widely used in collimation, laser medical treatment, scientific experiment, optical instrument, laser display, laser lighting show, etc.

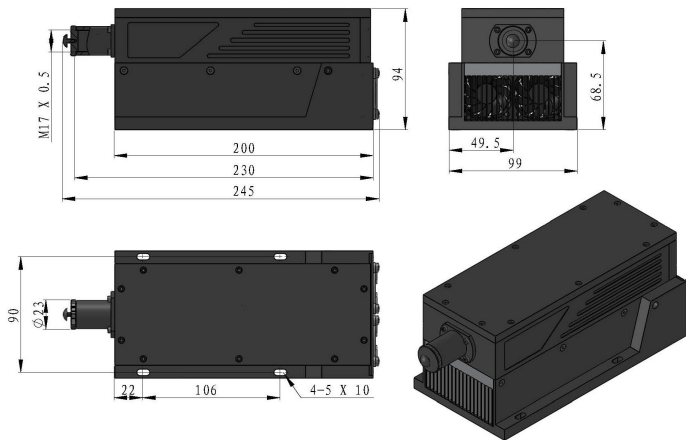


SPECIFICATIONS

Model	MGL-N-532
Wavelength (nm)	532±1
Operating mode	CW
Output power (W)	>3, 3.5, 4, ..., 5
Power stability (rms, over 4 hours)	<3%, <5%
Transverse mode	Near TEM ₀₀
Beam diameter at the aperture (mm)	~3.5
Beam divergence, full angle (mrad)	<1.5
Warm-up time (minutes)	<10
Beam height from base plate (mm)	68.5
Operating temperature (°C)	10~35
Power supply (two channels 6VDC 12A & 12VDC 8A)	PSU-OEM-N
TTL / Analog modulation	TTL or Analog with 1Hz-1kHz 1kHz-10kHz, 10kHz-30kHz optional
Expected lifetime (hours)	10000
Warranty period	1 year

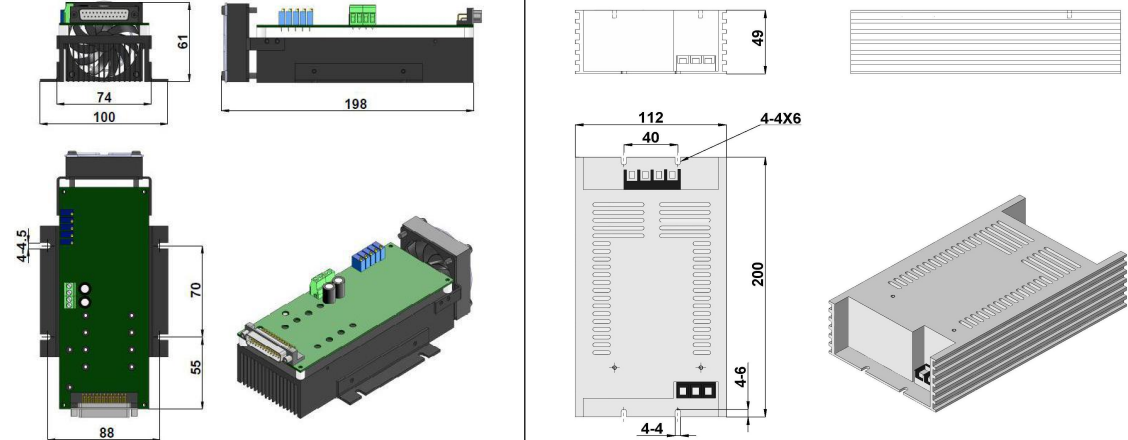


MxL-N-532



245 (L) × 99 (W) × 94 (H) mm³, 2.6 kg

PSU-OEM-N



198 (L) × 100 (W) × 61 (H) mm³, 0.7 kg

Two Channels 6VDC 12A & 12VDC 8A: 200 (L) × 112 (W) × 49 (H) mm³, 1.0 kg