



MGL-V-532/1~20W



LD PUMPED ALL-SOLID-STATE GREEN LASER

All solid state 532nm green laser is made features of good beam profile, ultra compact, long lifetime and easy operating, which is widely used in collimation, laser medical treatment, scientific experiment, optical instrument, laser display, etc.



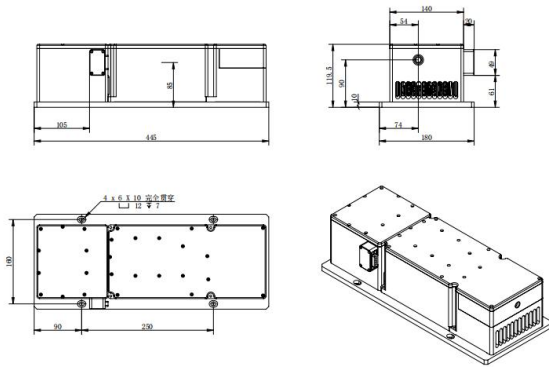
SPECIFICATIONS

Model	MGL-V-532A	MGL-V-532	MGL-V-532-Water	
Wavelength (nm)	532±1			
Operating mode	CW			
Output power (W)	>1, 2, ..., 5	>1, ..., 15	>1, ..., 15	20
Power stability (rms, over 4 hours)	<3%, <2%	<3%, <2%, <1%	<3%, <1%, <0.5%	<3%, <1%
Transverse mode	TEM <sub>00</sub>			
M <sup>2</sup> factor	<1.2			<3
Beam divergence, full angle (mrad)	~1.0			~1.0
Beam diameter at the aperture (1/e <sup>2</sup> , mm)	~2.0			~3.0
Warm-up time (minutes)	<1.0			
Beam height from base plate (mm)	85	80	68	
Polarization ratio	>50:1 (>100:1 optional), Horizontal (Vertical Optional)			
Cooled method	Air Cooled		Water Cooled	
Operating temperature (°C)	10~35			
Power supply (100-240VAC)	PSU-W-LED			
TTL / Analog modulation	TTL or Analog with 1Hz-1kHz 1kHz-10kHz, 10kHz-30kHz optional			
Expected lifetime (hours)	10000			
Warranty period	1 year			
Options	(1) Linear power regulation 0-100% with constant beam quality. Part number: MGL-V-532-HQ/MGL-V-532-Water-HQ. (2) Repetition rate up to 2MHz. Part number: MGL-V-532-AOM/MGL-V-532-Water-AOM.			



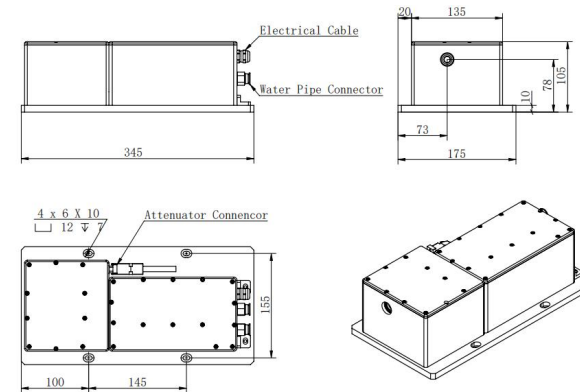
MGL-V-532A	MGL-V-532	MGL-V-532-Water
<p>270 (L) × 140 (W) × 112 (H) mm<sup>3</sup>, 2.4 kg</p>	<p>335 (L) × 140 (W) × 110 (H) mm<sup>3</sup>, 6.2 kg</p>	<p>245 (L) × 110 (W) × 95 (H) mm<sup>3</sup>, 3.8 kg</p>

MGL-V-532-HQ



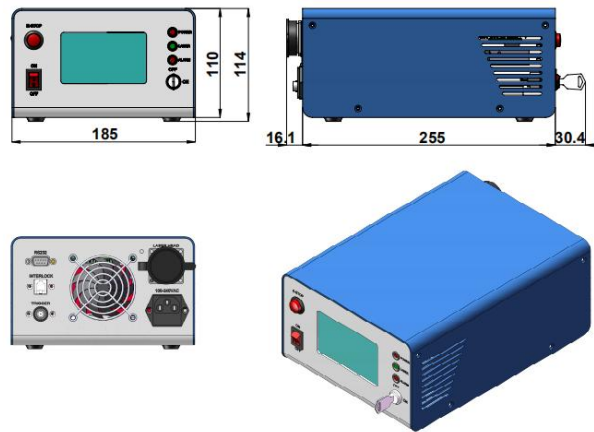
445 (L) × 180 (W) × 119.5 (H) mm<sup>3</sup>

MGL-V-532-Water-HQ



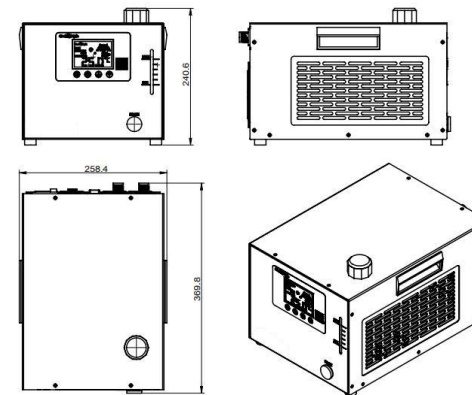
345 (L) × 175 (W) × 105 (H) mm<sup>3</sup>

PSU-W-LED



301.5 (L) × 185 (W) × 114 (H) mm<sup>3</sup>

Water Chiller (WCH-580)



369.8 (L) × 258.4 (W) × 240.6 (H) mm<sup>3</sup>, 10.5 kg