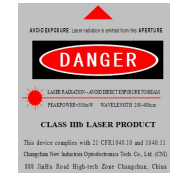


MIL-H series



LD PUMPED ALL-SOLID-STATE LASER

All solid state infrared laser is made features of ultra compact, long lifetime, low cost and easy operating, which is used in scientific experiment, optical instrument, optical sensor, measurement, communication, spectrum analysis, etc.



SPECIFICATIONS

Part number	MIL-H-912	MIL-H-914	MIL-H-946	MIL-H-1040	MIL-H-1047	MIL-H-1053
Wavelength (nm)	912±1	914±1	946±1	1040±1	1047±1	1053±1
Operating mode	CW					
Output power (mW)	1-800	1-800	1-800	1-100	1-1000	1-1500
Power stability (rms, over 4 hours)	<5%, <3%, <2%	<3%, <2%, <1%		<5%, <3%, <2%		<3%, <2%, <1%
Transverse mode	Near TEM ₀₀	TEM ₀₀				
M ² factor	<1.5	<2.0				
Beam diameter at the aperture (1/e ² , mm)	~1.2					
Beam divergence, full angle (mrad)	<2.0					
Polarization Ratio	>100:1, (Horizontal or Vertical Optional)					
Warm-up time (minutes)	<5					
Pointing stability after warm-up (mrad)	<0.05					
Beam height from base plate (mm)	29					
Operating Temperature (°C)	10~35					
Power supply	90-264VAC	PSU-H-LED/PSU-H-FDA				
	DC 12V	PSU-H-OEM				
Modulation optional	/					
Expected lifetime (hours)	10000					
Warranty	1 year					



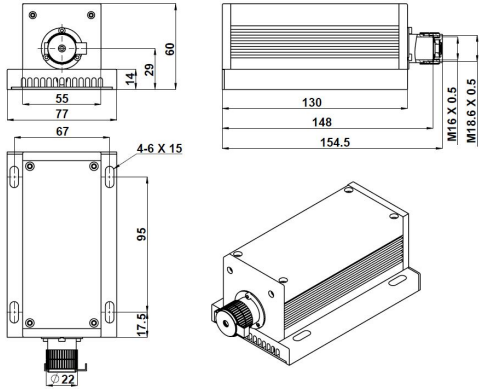
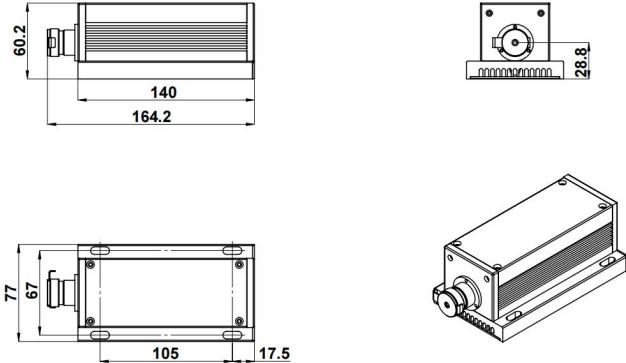
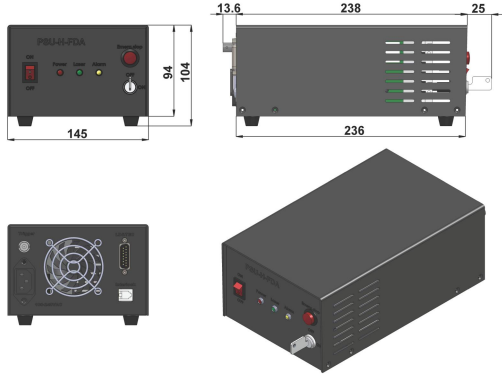
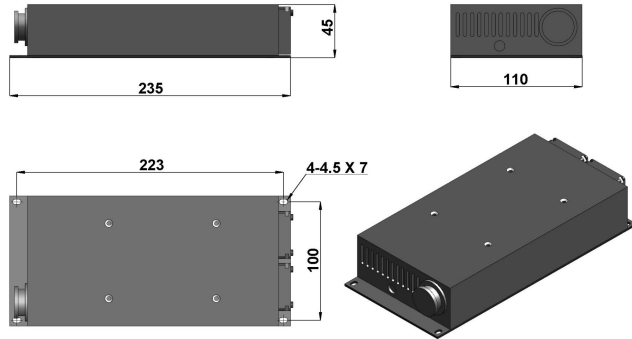
SPECIFICATIONS

Part number	MIL-H-1064	MIL-H-1112		MIL-H-1122	MIL-H-1177	MIL-H-1313	
Wavelength (nm)	1064±1	1112±3		1122±3	1177±2	1313±1	
Operating mode	CW						
Output power (mW)	1500-3000	1-300	300-500	1-1000	1-400	1-800	800-1000
Power stability (rms, over 4 hours)	<3%, <2%, <1%	<3%, <2%, <1%	<5%, <3%, <2%	<5%, <3%, <2%	<3%, <2%, <1%	<3%, <2%, <1%	<5%, <3%, <2%
Transverse mode	TEM ₀₀						
M ² factor	<2.0						
Beam diameter at the aperture (1/e ² , mm)	~1.2						
Beam divergence, full angle (mrad)	<2.0						
Polarization Ratio	>100:1, (Horizontal or Vertical Optional)						
Warm-up time (minutes)	<5						
Pointing stability after warm-up (mrad)	<0.05						
Beam height from base plate (mm)	29						
Operating Temperature (°C)	10~35						
Power supply	90-264VAC	PSU-H-LED/PSU-H-FDA					
	DC 12V	PSU-H-OEM					
Modulation optional	TTL on/off, 1Hz-1kHz, 1kHz-10kHz, 10kHz-30kHz, and Analog modulation option						
Expected lifetime (hours)	10000						
Warranty	1 year						

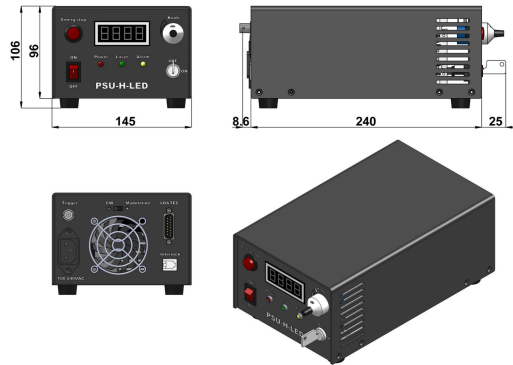


SPECIFICATIONS

Part number	MIL-H-1335	MIL-H-1338	MIL-H-1342	MIL-H-1413
Wavelength (nm)	1335±1	1338±1	1342±1	1413±1
Operating mode	CW			
Output power (mW)	1-500	1-500	1-2000	1-300
Power stability (rms, over 4 hours)	<5%,<3%,<2%	<5%,<3%,<2%	<3%,<2%,<1%	<10%,<5%,<3%
Transverse mode	TEM ₀₀			
M ² factor	<2.0			
Beam diameter at the aperture (1/e ² , mm)	~1.5			
Beam divergence, full angle (mrad)	<2.0			
Polarization Ratio	>100:1, (Horizontal or Vertical Optional)			
Warm-up time (minutes)	<5			
Pointing stability after warm-up (mrad)	<0.05			
Beam height from base plate (mm)	29			
Operating Temperature (°C)	10~35			
Power supply	90-264VAC	PSU-H-LED/PSU-H-FDA		
	DC 12V	PSU-H-OEM		
Modulation optional	TTL on/off, 1Hz-1kHz, 1kHz-10kHz, 10kHz-30kHz, and Analog modulation option			
Expected lifetime (hours)	10000			
Warranty	1 year			

<p>LASER HEAD</p>  <p style="text-align: center;">154.5(L)×77(W) ×60(H) mm³, 0.9 kg</p>	<p>LASER HEAD (Wavelength 914/946/1112/1122/1053/1040, Power stability <1%)</p>  <p style="text-align: center;">164.2(L) ×77(W) ×60.2 (H) mm³, 1.0 kg</p>
<p>POWER SUPPLY (PSU-H-FDA)</p>  <p style="text-align: center;">276.6(L) ×145(W) ×103.6(H) mm³, 2.3 kg</p>	<p>POWER SUPPLY (PSU-H-OEM)</p>  <p style="text-align: center;">235(L) ×110(W) ×45(H) mm³, 1.1kg</p>

POWER SUPPLY (PSU-H-LED)



273.6 (L) × 145(W) × 106 (H) mm³, 2.3 kg