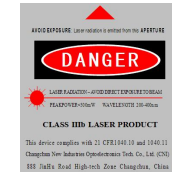




**MLL-A-xxx series**

**LD PUMPED ALL-SOLID-STATE LASER**

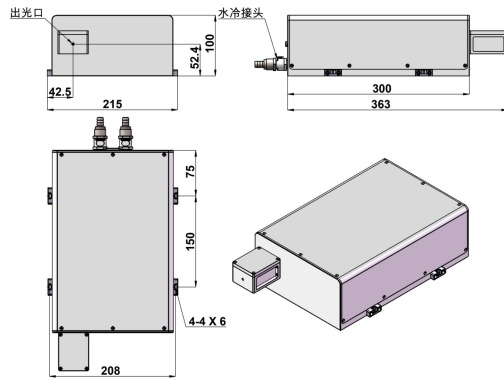
Low noise all solid state laser is made features of ultra compact, easy operating, high power and stability, which is perfect for flow cytometry, spectrum analysis, microscopy, semiconductor inspection, cell sorting, optical instrument, physics experiment, etc.



**SPECIFICATIONS**

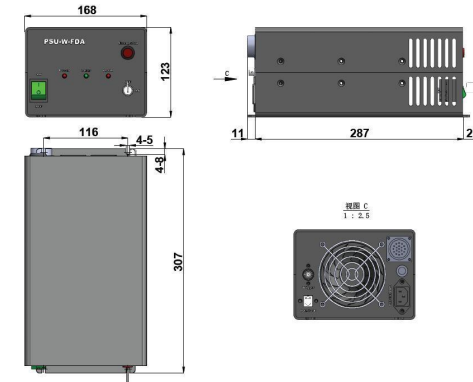
Wavelength (nm)	355±1
Operating mode	CW
Output power (mW)	10-50
Power stability (rms, over 4 hours)	<3%, <2%
Spectral line width (nm)	<0.1, <0.003
Transverse mode	Near TEM <sub>00</sub>
Noise of amplitude (rms, 1Hz~20MHz)	<1%
M <sup>2</sup> factor	<1.5
Beam diameter at the aperture (1/e <sup>2</sup> , mm)	<1.2
Beam divergence, full angle (mrad)	<1.5
Polarization Ratio	>50:1 Horizontal (Vertical Optional)
Spectral purity	>99%
Warm-up time (minutes)	<10
Pointing stability after warm-up (mrad)	<0.05
Cooled method (Water cooled)	WCH-580
Beam height from base plate (mm)	52.4
Operating Temperature (°C)	10-35
Modulation optional	TTL on/off, 1Hz-1KHz, 1KHz-10KHz, 10KHz-30KHz; and Analog modulation optional
Power supply (90-264VAC)	PSU-W-FDA
Warranty	1 year

**LASER HEAD**



363(L)×215(W)×100(H) mm<sup>3</sup>, 8.0 kg

**POWER SUPPLY (PSU-W-FDA)**



323(L)×168(W)×123(H) mm<sup>3</sup>, 4.1 kg

**Water Chiller (WCH-580)**



253.2(L)×363.8(W)×240.6(H) mm<sup>3</sup>, 11.0 kg