



MLL-DP-xxx-B series

LD PUMPED ALL-SOLID-STATE LOW NOISE RED LASER

Low noise all solid state laser is made features of ultra compact, easy operating, high power and stability, which is perfect for flow cytometry, spectrum analysis, microscopy, semiconductor inspection, cell sorting, optical instrument, physics experiment, etc.

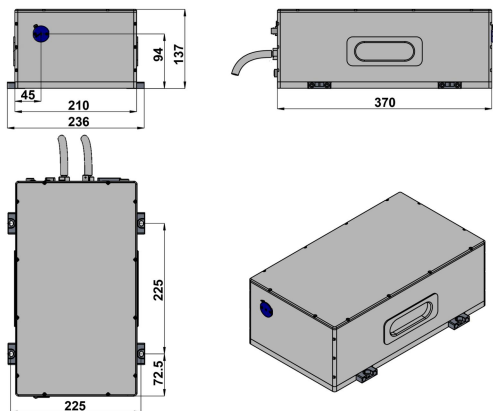


SPECIFICATIONS

Central wavelength (nm)	261±1	320±1	335±1	340±1	349±1	360±1
Operating mode	CW					
Output power (mW)	1-50	50-1500	30-250	1-50	80-700	150-700
Power stability (rms, over 4 hours)	<3%, <2%, <1%					
Transverse mode	Near TEM <sub>00</sub>					
Beam diameter at the aperture (1/e <sup>2</sup> , mm)	<3.0					
Spectral line width (nm)	/	<0.1, <0.003	/			
Noise of amplitude (rms, 1Hz~20MHz)	<1%					
Beam divergence, full angle (mrad)	<5					
Warm-up time (minutes)	<10					
Polarization Ratio	>50:1, Horizontal (Vertical Optional)					
Beam height from base plate (mm)	94					
Cooled method (Water Cooled)	WCH-580					
Operating temperature (°C)	10~35					
Power supply	12V DC (Photoelectric integrated)					
Warranty	1 year					



LASER HEAD



370(L)×236(W)×137(H) mm<sup>3</sup>

Water Chiller(WCH-580)



345 (L) ×248 (W) ×215(H) mm<sup>3</sup>, 10.5 kg