

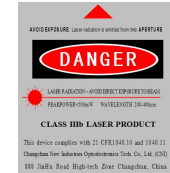


MLL-F series



LOW NOISE INFRARED LASER

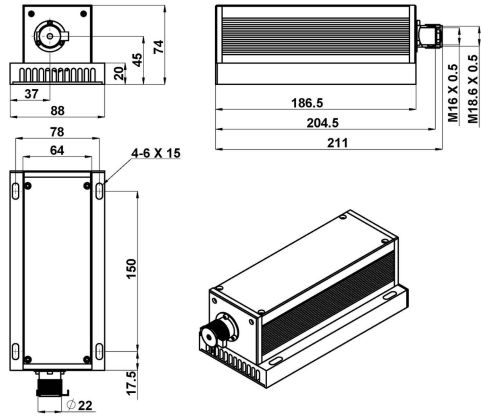
All solid state low noise infrared laser is made features of ultra compact, long lifetime, low cost and easy operating, which is widely used in scientific experiment, laser fluorescence, etc.



SPECIFICATIONS

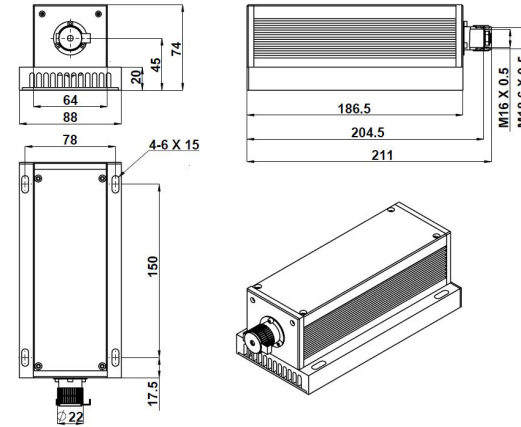
Wavelength (nm)	457±1		577±2		671±1		1030±2	
Operating mode	CW							
Output power (mW)	1-400	400-1000	1-200	200-300	1000-1500		20-50	50-100
Power stability (rms, over 4 hours)	<3%, <2%		<3%, <2%, <1%		<3%, <2%		<3%, <2%, <1%	
Transverse mode	Near TEM ₀₀	Near TEM ₀₁ (Near TEM ₀₀ on request)	TEM ₀₀					
Spectral line width (nm)	<0.1							
Noise of amplitude (rms, 1Hz~20MHz)	<3%			<1%				
M ² factor	<2.0			<1.2			<1.5	
Beam diameter at the aperture (1/e ² , mm)	~3.0		<3.0		~3.0		~2.0	
Beam divergence, full angle (mrad)	<1.5				<2.0			
Polarization Ratio	>100:1, Vertical (Horizontal Optional)		>100:1, Horizontal (Vertical Optional)		>100:1, Vertical (Horizontal Optional)		>100:1, Horizontal (Vertical Optional)	
Warm-up time (minutes)	<5							
Pointing stability after warm-up (mrad)	<0.05							
Beam height from base plate (mm)	45							
Operating Temperature (°C)	10-35							
Power supply	90-264VAC		PSU-H-FDA					
	DC 12V		PSU-H-OEM					
Expected lifetime (hours)	10000							
Warranty	1 year							

LASER HEAD



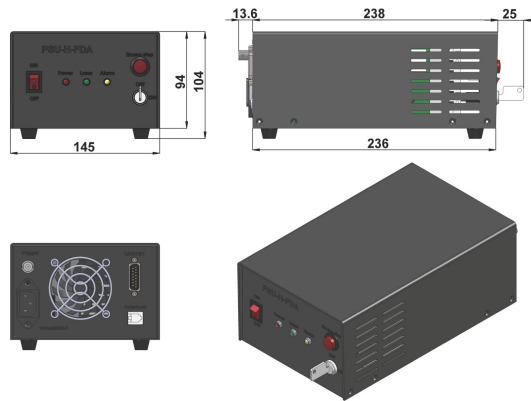
211 (L)×88(W) ×74(H) mm³, 1.6 kg

LASER HEAD (MLL-F-355/ 349/ 1030)



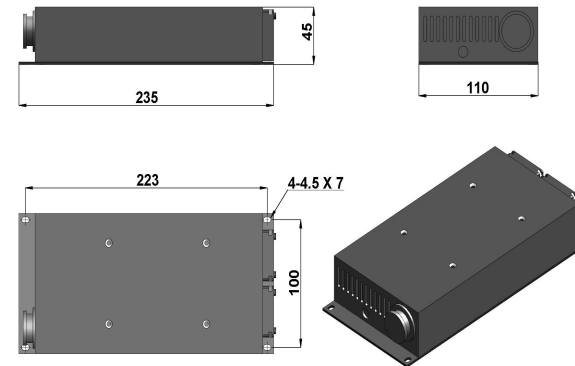
211 (L)×88(W) ×74(H) mm³, 1.6 kg

POWER SUPPLY (PSU-H-FDA)



276.6(L) ×145(W) ×103.6(H) mm³, 2.3 kg

POWER SUPPLY (PSU-H-OEM)



235(L) ×110(W) ×45(H) mm³, 1.1kg