



**MLL-V-xxx-SM Series**

**SM FIBER OUTPUT LASER**

CNI has a long experience in the delivery of fiber coupled laser light sources providing high efficiency and long term stability. All laser types can be offered with appropriate fiber coupling systems. This type is specifically designed for single-mode fiber(include PM) coupling with high power stability and long term stability.



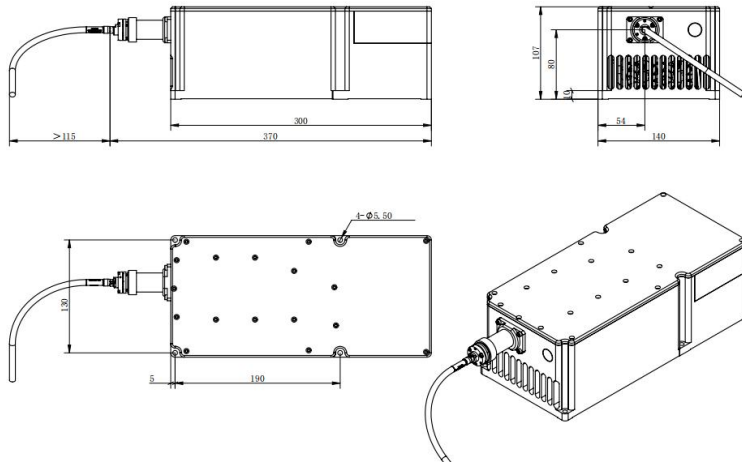
**SPECIFICATIONS**

|                                     |   |          |
|-------------------------------------|---|----------|
| Wavelength (nm)                     | 532±1   | 671±1    |
| Operating mode                      | CW  |          |
| Output power (mW)                   | 1000-2000   | 250-2000 |
| Power stability (rms, over 4 hours) | 5%, <3%, <1%  |          |
| Transverse mode                     | TEM <sub>00</sub> (single mode fiber output)                                |          |
| M <sup>2</sup> factor               | <1.1  |          |
| Fiber numerical aperture            | 0.10~0.15   |          |
| Polarization ratio                  | No polarition (>50:1 after PM fiber)  |          |
| Noise of amplitude (rms, 1Hz~20MHz) | <1%   |          |
| Fiber type                          | SM fiber (PM fiber optional)  |          |
| Fiber connector                     | FC  |          |
| Fiber jacket                        | PVC   |          |
| Fiber length                        | 1m (Other lengths can be customized)  |          |
| Warm-up time (minutes)              | <10   |          |
| Cooled method                       | Air Cooled (Water Cooled optional)  |          |
| Operating temperature (°C)          | 10~30   |          |
| Power supply (100-240VAC)           | PSU-W-LED/ PSU-W-FDA  |          |
| Modulation option                   | TTL on/off, 1Hz-1KHz, 1KHz-10KHz, 10KHz-30KHz; and Analog modulation option |          |
| Expected lifetime (hours)           | 10000   |          |
| Warranty                            | 1 year  |          |

**Note: The laser head needs to be used on a heat sink with good heat dissipation.**

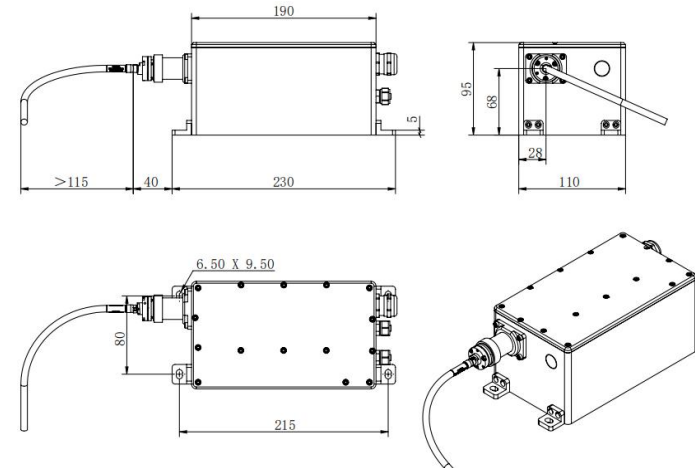


LASER HEAD (MLL-V-532/671-SM)



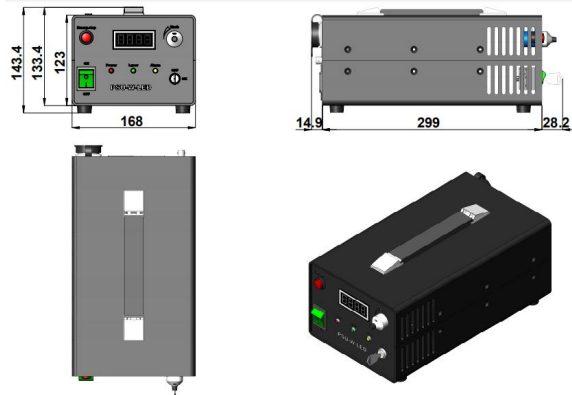
370 (L) × 140 (W) × 107 (H) mm<sup>3</sup>

LASER HEAD (MLL-V-532/671-Water-SM)



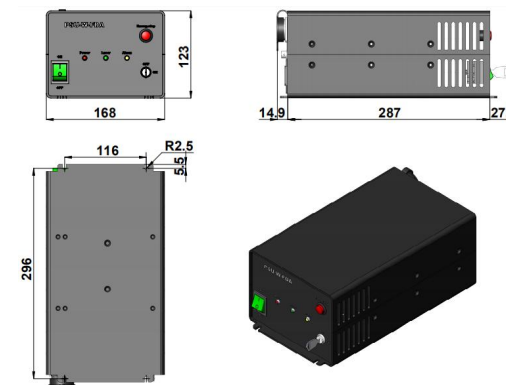
270 (L) × 110 (W) × 95 (H) mm<sup>3</sup>

POWER SUPPLY (PSU-W-LED)



342.1 (L) × 168 (W) × 143.4 (H) mm<sup>3</sup>, 4.2 kg

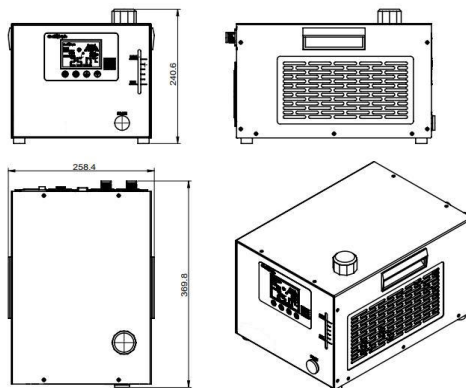
POWER SUPPLY (PSU-W-FDA)



329.1 (L) × 168 (W) × 123 (H) mm<sup>3</sup>, 4.1 kg



Water Chiller (WCH-580)



369.8 (L) × 258.4 (W) × 240.6 (H) mm<sup>3</sup>, 10.5 kg