

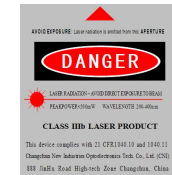


MPL-F series

LD PUMPED ALL-SOLID-STATE Q-SWITCHED LASER

All solid state UV laser is made features of ultra compact, cost -effectiveness and easy operating, which is widely used in UV curing, micro-electronics, CD carving, laser medical treatment, scientific experiment, etc.

All solid state infrared laser is made features of ultra compact, long lifetime, cost -effectiveness and easy operating, which is widely used in scientific experiment, laser fluorescence, etc.

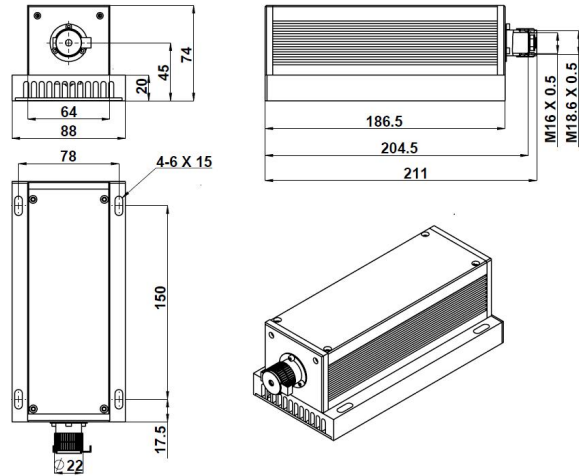


SPECIFICATIONS

Wavelength (nm)	349±1	351±1	355±1	1030±2
Operating mode	Frequency conversion of Q-switched pulsed laser			Q-switched pulsed laser
Max average power (mW)*	1~30	1~10	1~100	1~300
Single pulse energy (μJ)	0.1~10	0.1~4	0.1~15	0.1~150
Pulse duration (ns)	~4		~5	~10
Peak power (kW)	0.25~2.5	0.25~1	0.2~3	0.1~15
Rep. rate (kHz)	INT FIXED (One internal fixed rep.rate)	1kHz	1k-4kHz(optional)	/
	EXT TRIG (External triggered)	1kHz	1k-4kHz	/
	QCW	Between 2k-3kHz.	Between 5k-7kHz.	Between 2k-5kHz.
Ave power stability (over 4 hours)	<10%, <5%, <3%			
Transverse mode	Near TEM ₀₀			
M ² factor	<2			
Beam diameter at the aperture (mm)	~1.2			
Beam divergence, full angle (mrad)	<1.5			
Polarization ratio	>50:1, Horizontal (Vertical Optional)		>100:1, Horizontal (Vertical Optional)	
Warm-up time (minutes)	<5			
Beam height from base plate (mm)	45			
Operating temperature (°C)	10~35			
Power supply	90-264VAC	PSU-H-LED/PSU-H-FDA/PSU-SR		
	DC 12V	PSU-H-OEM		
Expected lifetime (hours)	/			10000
Warranty	1 year			

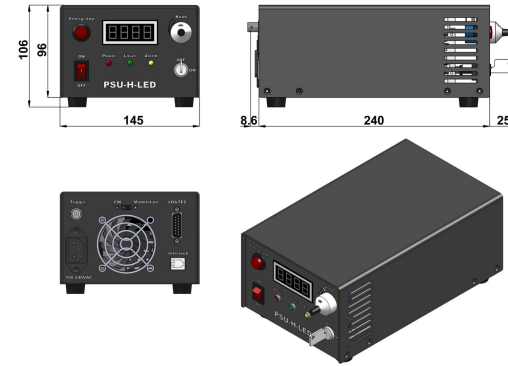
Average power (mW)= Single pulse energy (μJ) Rep. rate(kHz)

**LASER HEAD
(MPL-F-349/351/355/1030)**



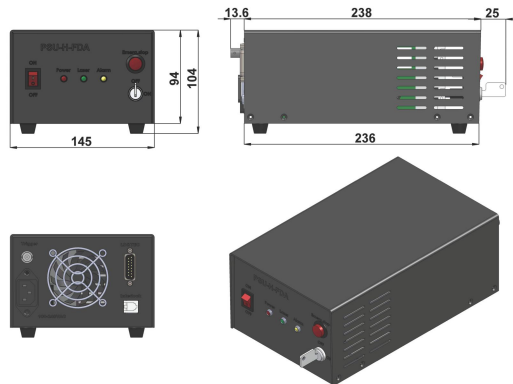
211 (L)×88(W) ×74(H) mm³, 1.6 kg

POWER SUPPLY (PSU-H-LED)



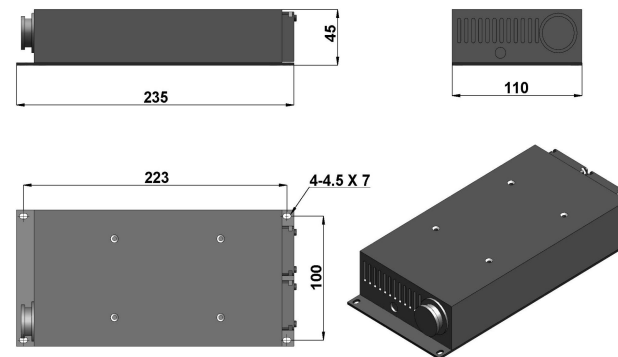
273.6 (L) ×145(W) ×106 (H) mm³, 2.3 kg

POWER SUPPLY (PSU-H-FDA)



276.6(L) ×145(W) ×103.6(H) mm³, 2.3 kg

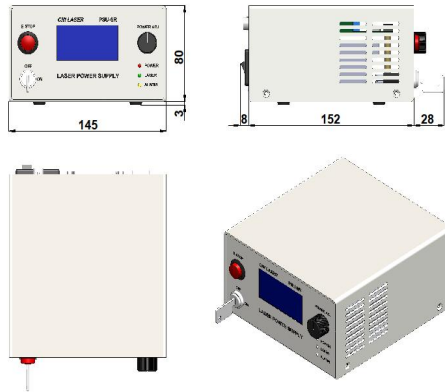
POWER SUPPLY (PSU-H-OEM)



235(L) ×110(W) ×45(H) mm³, 1.1kg



POWER SUPPLY (PSU-SR)



188(L) × 145(W) × 83(H) mm³, 1.2kg