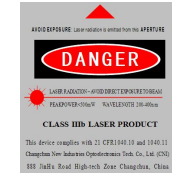




MPL-S-xxx-LP series

High-energy LD-pumped all-solid-state Q-switch laser

All solid state Q-switched laser at 1064nm has the features of high peak power and short pulse duration, which is widely used in scientific research, laser micromaching, laser radar ranging, environment monitoring, laser ultrasonic monitoring and LIBS (Laser Induced Breakdown Spectroscopy) etc.



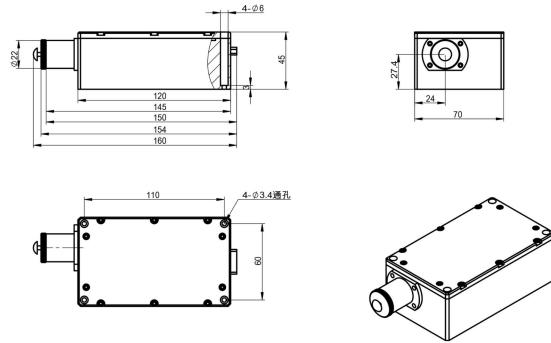
SPECIFICATIONS

Model	MPL-S-532-LP	MPL-S-1064-LP
Wavelength (nm)	532±1	1064±1
Operating mode	Q-switched pulsed laser	
Max average power (mW)*	~80	~200
Single pulse energy (μJ)	~80	~200
Pulse duration (ps)	~400	~400
Peak power (kW)	200	500
Rep. rate (kHz) (optional)	0.01~1	
Ave power stability (over 4 hours)	<5%, <3%, <1%	
Transverse mode	TEM ₀₀	
M ² factor	<1.5	
Beam diameter at the aperture (mm)	~2.0	
Beam divergence, full angle (mrad)	<1.5	
Warm-up time (minutes)	<5	
Beam height from base plate (mm)	27.4	
Operating temperature (°C)	15~30	
Power supply (90-264VAC)	PSU-S-LP	
Expected lifetime (hours)	10000	
Warranty	1 year	

Average power (mW)= Single pulse energy (μJ) Rep. rate(kHz)

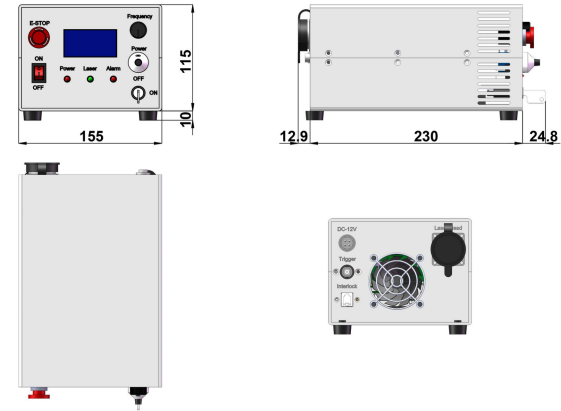
Note: The laser head needs to be used on a heat sink with good heat dissipation.

LASER HEAD



160(L)×70(W)×45(H) mm³

POWER SUPPLY



267.7(L)×155(W)×125(H) mm³