



MRL-DP-xxx-A series

LD PUMPED ALL-SOLID-STATE RED LASER

All solid-state CW mode laser is made features of ultra compact, easy operating, high power and stability, which is perfect for flow cytometry, spectrum analysis, microscopy, semiconductor inspection, cell sorting, optical instrument, physics experiment, etc.

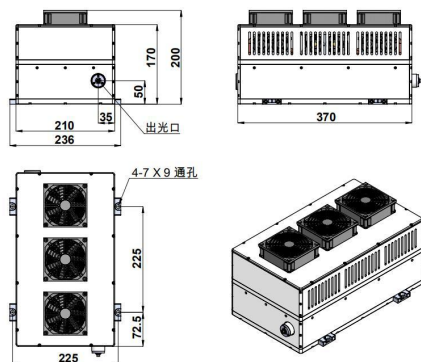


SPECIFICATIONS

Part number	MRL-DP-607-A	MRL-DP-639-A	MRL-DP-670-A	MRL-DP-698-A	MRL-DP-721-A
Wavelength (nm)	607±1	639±1	670±1	698±1	721±1
Operating mode	CW				
Output power (mW)	600-1800	1500-3500	500-2000	1200-3000	1000-3500
Power stability (rms, over 4 hours)	<3%, <2%, <1%				
Transverse mode	TEM ₀₀				
Beam diameter at the aperture (1/e ² , mm)	<2.0				
Beam divergence, full angle (mrad)	<1.2				
Polarization Ratio	>100:1, Horizontal (Vertical Optional)		>100:1, Vertical (Horizontal Optional)		
Warm-up time (minutes)	<10				
Beam height from base plate (mm)	38				
Cooled method	Fan Cooled				
Operating temperature (°C)	10~35				
Power supply (90-264VAC)	FC-11				
Expected lifetime (hours)	10000				
Warranty	1 year				

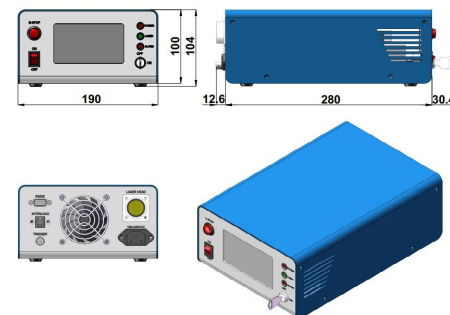


LASER HEAD



370(L)×236(W)×200(H) mm³

POWER SUPPLY



323(L) × 190(W) × 104(H) mm³