



MRL-DP-xxx-B series

LD PUMPED ALL-SOLID-STATE LASER

All solid-state CW mode laser is made features of ultra compact, easy operating, high power and stability, which is perfect for flow cytometry, spectrum analysis, microscopy, semiconductor inspection, cell sorting, optical instrument, , physics experiment, etc.



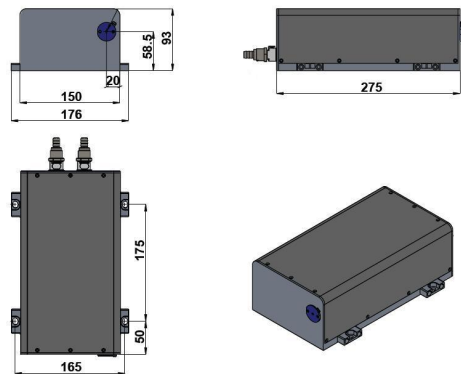
SPECIFICATIONS

Part number	MRL-DP-607-B	MRL-DP-639-B		MRL-DP-670-B		MRL-DP-698-B		MRL-DP-721-B	
Central wavelength (nm)	607±2	639±1		670±1		698±1		721±1	
Operating mode	CW								
Output power (mW)	1800-3500	3500-8000	8000-10000	2000-3500	3500-4000	3000-5000	5000-7000	3500-6000	6000-8000
Power stability (rms, over 4 hours)	<3%, <2%, <1%								
Transverse mode	Near TEM <sub>00</sub>	Multi mode	Near TEM <sub>00</sub>	Multi mode	Near TEM <sub>00</sub>	Multi mode	Near TEM <sub>00</sub>	Multi mode	Multi mode
Beam diameter at the aperture (1/e <sup>2</sup> , mm)	2.0								
Beam divergence, full angle (mrad)	<5.0								
Warm-up time (minutes)	<10								
Polarization Ratio	>100:1, Horizontal (Vertical Optional)			>100:1, Vertical (Horizontal Optional)					
Beam height from base plate (mm)	58.5								
Cooled method (Water Cooled)	WCH-580								
Operating temperature (°C)	10~35								
Power supply	PSU-W-LED/ PSU-W-FDA								
Warranty	1 year								

Note: The laser head must be used on a water cooling system.

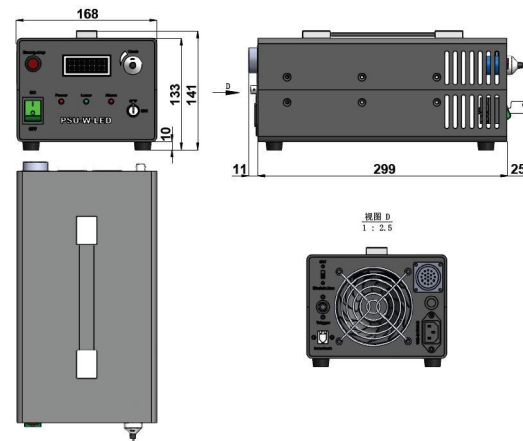


LASER HEAD



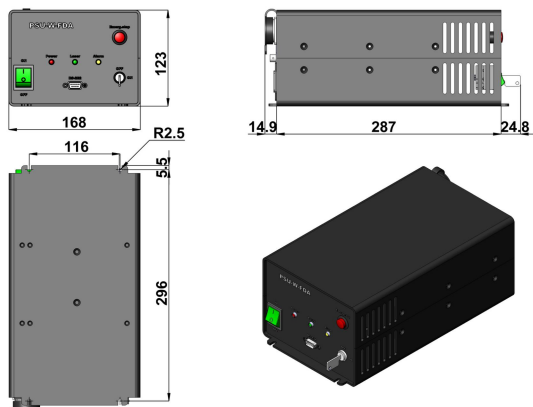
275(L)×176(W)×93(H) mm<sup>3</sup>

POWER SUPPLY (PSU-W-LED)



335 (L) ×168(W) ×141(H) mm<sup>3</sup>, 4.0 kg

POWER SUPPLY (PSU-W-FDA)



326.7 (L) ×168(W) ×123(H) mm<sup>3</sup>, 4.0 kg

Water Chiller(WCH-580)



345 (L) ×248 (W) ×215(H) mm<sup>3</sup>, 10.5 kg